

User Guide

**clarity**<sup>®</sup>  
SMART FOR SENIORS

# Alto PLUS™

**Amplified Telephone with DCP™, CID and Speakerphone**





# TABLE OF CONTENTS

<b>Important Safety Instructions</b> .....	<b>4</b>
<b>ClarityLogic™</b> .....	<b>6</b>
<b>Packaging Contents</b> .....	<b>8</b>
<b>Basic Installation</b> .....	<b>9</b>
<b>Wallmount Installation</b> .....	<b>10</b>
<b>AltoPlus Features List</b> .....	<b>11</b>
<b>Operations</b> .....	<b>15</b>
Boost Function/Amplifying Incoming Sounds .....	15
Boost Override .....	16
<b>Menu Operations</b> .....	<b>17</b>
CID Operations .....	17
Programming/Editing Memory Dial Buttons .....	20
Phonebook Operations .....	21
Dialing Saved Numbers .....	21
Language .....	22
<b>Outgoing Speech Amplification (OSA)</b> .....	<b>23</b>
<b>Technical Specifications</b> .....	<b>24</b>
<b>Troubleshooting</b> .....	<b>25</b>

## **IMPORTANT SAFETY INSTRUCTIONS**

When using your telephone equipment, basic safety precautions should always be followed to reduce the risk of fire, electric shock and injury to persons, including the following:

1. Read and understand all instructions.
2. Follow all warnings and instructions marked on the telephone.
3. Do not use this telephone near a bathtub, wash basin, kitchen sink or laundry tub, in a wet basement, near a swimming pool or anywhere else there is water.
4. Avoid using a telephone (other than a cordless type) during a storm. There may be a remote risk of electrical shock from lightning.
5. Do not use the telephone to report a gas leak in the vicinity of the leak.
6. Unplug this telephone from the wall outlets before cleaning. Do not use liquid cleaners or aerosol cleaners on the telephone. Use a damp cloth for cleaning.
7. Place this telephone on a stable surface. Serious damage and/or injury may result if the telephone falls.
8. Do not cover the slots and openings on this telephone. This telephone should never be placed near or over a radiator or heat register. This telephone should not be placed in a built-in installation unless proper ventilation is provided.
9. Operate this telephone using the electrical voltage as stated on the base unit or the owner's manual. If you are not sure of the voltage in your home, consult your dealer or local power company.
10. Do not place anything on the power cord. Install the telephone where no one will step or trip on the cord.
11. Do not overload wall outlets or extension cords as this can increase the risk of fire or electrical shock.
12. Never push any objects through the slots in the telephone. They can touch dangerous voltage points or short out parts that could result in a risk of fire or electrical shock. Never spill liquid of any kind on the telephone.

**SAVE THESE INSTRUCTIONS**

## **IMPORTANT SAFETY INSTRUCTIONS**

13. To reduce the risk of electrical shock, do not take this phone apart. Opening or removing covers may expose you to dangerous voltages or other risks. Incorrect reassembly can cause electric shock when the appliance is subsequently used.
14. Unplug this product from the wall outlet and refer servicing to the manufacturer under the following conditions: when the power supply cord or plug is frayed or damaged; if liquid has been spilled into the product; if the telephone has been exposed to rain or water; if the telephone has been dropped or the case has been damaged; if the telephone exhibits a distinct change in performance; if the telephone does not operate normally by following the operating instructions. Adjust only those controls that are covered by the operating instructions. Improper adjustment may require extensive work by a qualified technician to restore the telephone to normal operation.
15. Never install telephone wiring during a lightning storm.
16. Never install telephone jacks in wet locations unless the jack is specifically designed for wet locations.
17. Never touch uninsulated telephone wires or terminals unless the telephone line has been disconnected at the network interface.
18. Use caution when installing or modifying telephone lines.

### **BATTERY SAFETY**

***IMPORTANT: Dispose of used batteries according to the instructions.***

1. Do not dispose of the battery in a fire as it may explode. Check with local codes for possible special disposal instructions.
2. Do not open or mutilate the battery. Released electrolyte is corrosive and may cause damage to the eyes and skin. Additionally, it may be toxic if swallowed.
3. Exercise care in handling batteries in order not to short the battery with conducting materials such as rings, bracelets and keys. The battery or conduction material may overheat and cause burns.

**SAVE THESE INSTRUCTIONS**

## Introduction to Clarity Logic

ClarityLogic is the name of our simplified and easy-to-use customer support service. When you use the ClarityLogic button to contact Clarity's Customer Support representatives, and authorize Clarity to receive information specific to your phone, Clarity may access information about your phone such as the phone's model name and settings. The representative is immediately aware of the type and current settings of the phone. This will allow any troubleshooting call to be quick and simple, helping you find exactly what you are looking for. Just use the pre-programmed ClarityLogic button on the Fortissimo speakerphone or call 1-877-LOGIC24 (1-877-564-4224) to find out how Clarity is there to make life easier.

## ClarityLogic® Memory Dial

For your convenience, Clarity has pre-programmed the customer support number into your phone's blue ClarityLogic button.

**Note:** *ClarityLogic has been designed to work with the Plain Old Telephone Service (POTS). If your phone service is provided by a broadband service provider, ClarityLogic may not work. ONLY CLARITYLOGIC MAY BE DISABLED. ALL OTHER FEATURES WORK AS DESCRIBED IN THIS USER GUIDE.*

## INTRODUCTION

**Thank you for purchasing your new AltoPlus from Clarity** – providing a superior experience by offering clear and loud audio, to ensure you never miss a word again. Please read these instructions to ensure you take advantage of the complete set of rich features that this product offers.



### **Our Company**

*Clarity, a division of Plantronics (NYSE: PLT), creates smart communication solutions that help seniors live richer, more engaged lives. Founded more than 40 years ago, Clarity is a leader in amplified telephones, notification systems and assistive listening devices.*

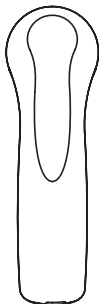
*Clarity produces seven distinct lines of products and services: Clarity,<sup>®</sup> Clarity Professional,<sup>®</sup> ClarityLife<sup>®</sup>, Clarity AlertMaster,<sup>®</sup> ClarityLogic<sup>®</sup>, Ameriphone<sup>®</sup>, and Walker<sup>™</sup> handset / test sets.*

*The company's innovative communication products are all designed to help people with hearing loss, low vision, limited mobility, dexterity issues and other health challenges.*

## PACKAGING CONTENTS

Your package includes all the items as shown below. If there is anything missing, please contact our Customer Care Department immediately.

**NOTE: Please retain a copy of proof of purchase for your records.**



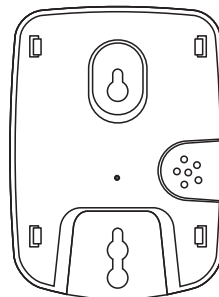
Handset



Base unit



Telephone line cords  
(one long cord and  
one short cord)



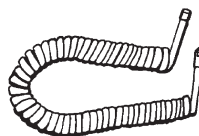
Mounting bracket



DC adapter



User Guide and  
Warranty/FCC Regulations



Handset coil cord



# ALTOPLUS INSTALLATION

## Basic Installation

**Step 1:** Install the backup batteries (optional) by removing the battery cover as shown in **Figure 1**.

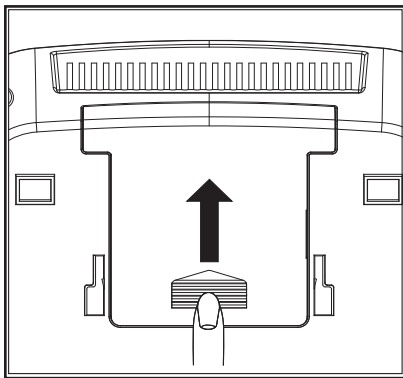
**Step 2:** Pull the ends of the phone cord to untangle the cord; connect the loose end of the phone cord into your wall telephone outlet.

**Step 3:** Place handset in cradle.

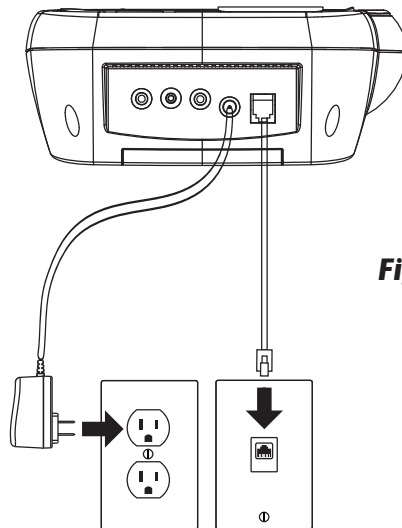
**Step 4:** Pull the ends of the power cord apart to untangle the cord; plug the adapter into your wall's electrical outlet.

**IMPORTANT:** Use only with Class (Classe) 2 power source, provided with your product.

**Step 5:** When finished, lift handset to test. If you hear a dial tone, your telephone is ready for use. If not, check all connections again.



**Figure 1**



**Figure 2**

If there is a power outage, the AltoPlus will maintain its full amplification for up to 48 hours with four AA alkaline backup batteries (not included).

The phone operates as a regular phone if there is no power or backup batteries. In this case, the indicator lights, the loud ringer, the lighted keypad and the amplification will be disabled; you will still be able to make and receive phone calls, but the extra amplification will not be engaged.

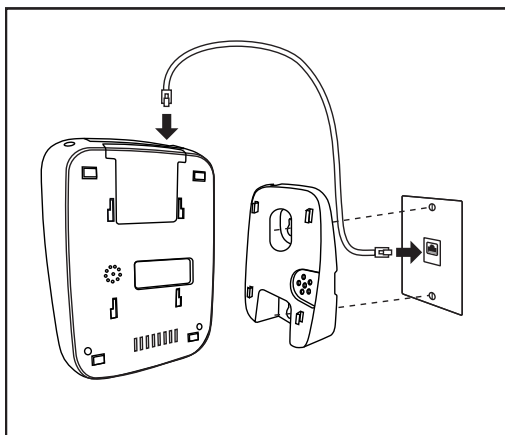
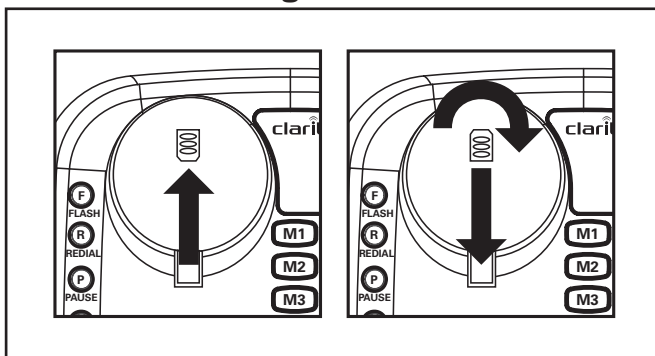
We recommend installing batteries if you live in an area with frequent power outages.

# ALTOPLUS INSTALLATION

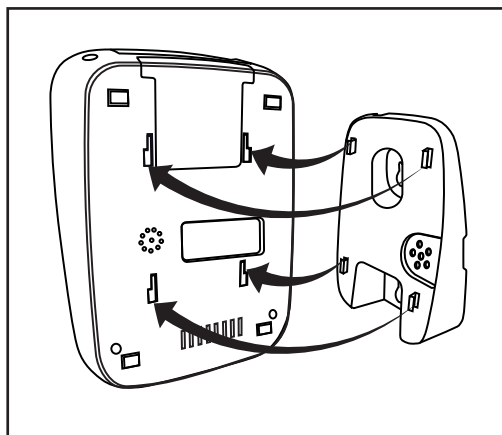
## Wall Mount Installation

- Step 1:** Pull the handset hook out of the base and reverse its position so that the hook points up and will hold the handset when you hang up. **(See Figure 3)**
- Step 2:** Pull the ends of the phone cord to untangle the cord; run the cord through the groove on the back of the phone. Insert the tabs of the mounting bracket into the slots in the back of the phone. Push the mounting bracket in and down firmly until it snaps into place. **(See Figure 4)**
- Step 3:** Plug the flat telephone line cord into the wall plate jack, then align the mounting bracket's keyhole slots with the wall plate studs and slide the base of the phone downward to secure it on the wall. **(See Figure 5)**

**Figure 3**



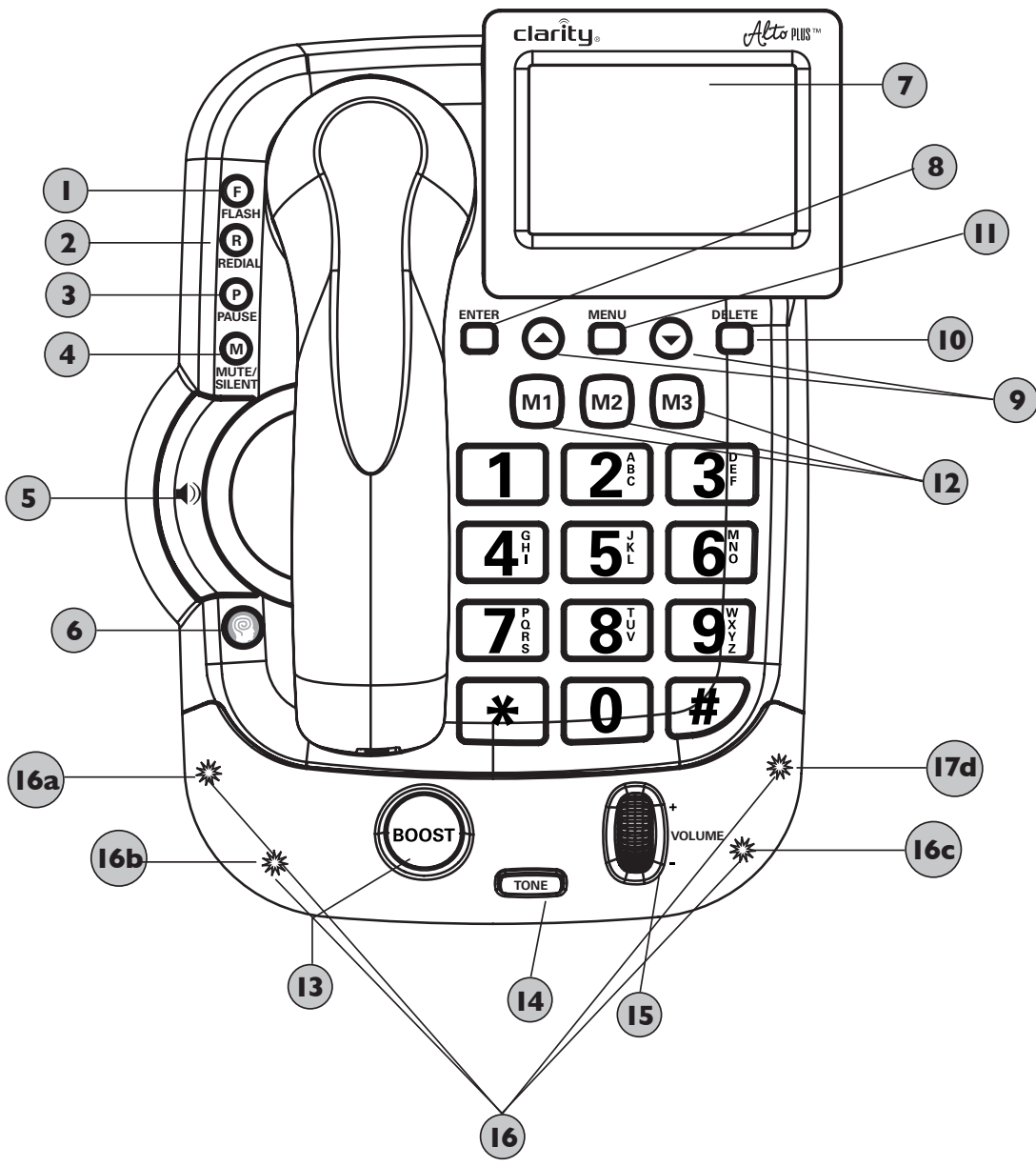
**Figure 4**



**Figure 5**

Figure 1

# ALTOPLUS FEATURE LIST



## ALTOPLUS FEATURE LIST

1. **FLASH** button: use this button to engage the Call Waiting/Call Waiting Caller ID function (feature provided by local phone company).
2. **REDIAL** button: use this button to redial the last number dialed (up to 32 digits).
3. **PAUSE** button: when in programming mode, press this button to insert a two second pause.
4. **MUTE/SILENT** button:
  - a. **During a call:** press **MUTE/SILENT** to silence your side of the conversation, for added privacy; button will blink red to indicate that you are in MUTE mode; press **MUTE/SILENT** again to disable the function and return to your call
  - b. **During idle mode:** press **MUTE/SILENT** to turn off the ringer; button will turn red backlit when the ringer is off.
  - c. **During incoming ring:** press **MUTE/SILENT** to turn off the ringer for only that call; phone will ring when the next call is received.
5. **(Speakerphone)** button: press this button to engage the speakerphone function; press again to turn the feature off. When the speakerphone is active, the button is backlit red.
6. **ClarityLogic** button: press the blue button for direct access to a Customer Care Representative.
7. **MENU** Screen: show the CID information, memory records, your phonebook, show information about the volume and tone levels, etc.
8. **ENTER** button: press to confirm choices listed on the screen.
9. **Arrow** buttons (**UP/DOWN**): press to navigate through the menu choices, CID and memory records.
10. **DEL** button: press to delete CID/memory records and to edit names/numbers.
11. **MENU** button: press to access the menu for CID/memory checking and language setup.
12. **Memory** buttons (**M1 – M3**): for saved numbers (see **MEMORY STORAGE**).
13. **BOOST** button: press **BOOST** to engage the extra amplification. In Boost On mode, the phone has a volume range covering 50dB of amplification. When active, the **BOOST** button is backlit red. Press **BOOST** again to turn off the extra amplification.
  - a. Press and hold the **BOOST** button (5 seconds) to engage the OSA (Outgoing Speech Amplification) feature. Please read the OSA section before turning on this feature.

## ALTOPLUS FEATURE LIST

### 14. **TONE** button:

- a. **During a call:** press the **TONE** button to toggle between the preset tone settings on your unit, and choose the best setting for your needs. There are five preset tone settings available on your unit, ranging from emphasizing low frequencies to emphasizing high frequencies; the settings are specifically designed to ensure the best audio experience during your phone calls. One of the tone settings is recommended for Hearing Aid users, as it provides superior audio performance while taking the presence of the device into account. The tone setting is displayed on the screen during the time you are toggling the different settings.
  - i. Press and hold the **TONE** button to enter the Custom mode, allowing for fine-tuning of the incoming voice. See section **Boost Function – Amplifying incoming sounds**.
- b. **During idle mode:** press the **TONE** button to toggle between the available ringer tone settings. There are six ringer tones to choose from, which cover a variety of tonalities, to ensure that you will always hear the ring of an incoming call.

### 15. **VOLUME** wheel

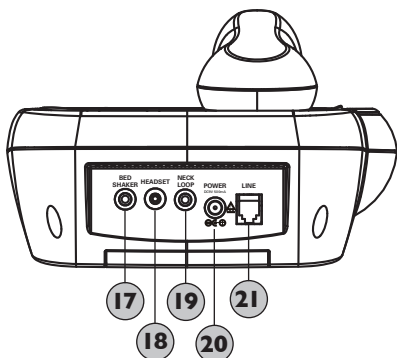
- a. **During a call:** scroll the volume wheel to turn the volume of the incoming call up or down. As you raise the volume, you will notice that the **BOOST** button light turns on when you transition into Boost On mode.
- b. **During idle mode:** scroll the volume wheel to turn the ringer volume up or down. The ringer will sound during this mode.

### 16. **Visual ringer** lights: there are four lights that turn on (in a flashing pattern) when the phone rings. Additionally, these lights indicate different functions (if the features are enabled – listed below from left to right under the visual ringer lens):

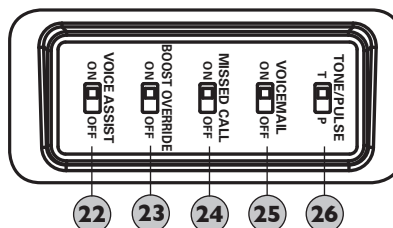
- a. **Missed Call** light: turns on when you have the **MISSED CALL** switch set to ON and there have been at least one unanswered incoming call.
- b. **Voicemail** light: turns on when you have the **VOICEMAIL** switch set to ON and there is a voicemail waiting to be retrieved (separate service, purchased from your phone service provider).
- c. **OSA** light: turns on when the OSA (Outgoing Speech Amplification) function is enabled.
- d. **Low Battery** light: turns on when your backup batteries need to be replaced.

## ALTOPLUS FEATURE LIST

### BACK VIEW



### BOTTOM VIEW



- 17. LINE** port: (for phone cord)
- 18. POWER** port: (for power adapter)
- 19. NECKLOOP** port: insert a standard neckloop (mono, 3.5mm plug) to use with your T-coil equipped hearing aid. We recommend the Clarity CE30 neckloop. For more information on purchasing please contact Clarity at 1 800 426 3738.
- 20. HEADSET** port: insert a standard headset (2.5mm plug) to use instead of handset. For more information on purchasing please contact Clarity at 1 800 426 3738.
- 21. BEDSHAKER** port: insert the optional bedshaker (sold separately, model C2210). It will vibrate to indicate incoming rings. For more information on purchasing please contact Clarity at 1 800 426 3738.
- 22. VOICE ASSIST** switch: set to ON if you wish to hear the numeric keys pressed during dialing – both in handset and speakerphone.
- 23. BOOST OVERRIDE** switch: set to ON if you wish for the Boost function to be enabled at the beginning of all calls.
- 24. MISSED CALL** switch: set to ON if you wish for the Missed Call light to turn on when you have at least an unanswered call.
- 25. VOICEMAIL** switch: set to ON if you wish to have the VoiceMail light enabled (service from your phone service provider). When you have a voicemail waiting for you, the Voicemail light turns on under the visual ringer lens.
- 26. TONE/PULSE** switch: set this switch to the desired dialing method.

## OPERATIONS

Your unit is designed to adhere to the new TIA-4953 standard, which defines the specific audio performance that compensates for audio loss, across mild to severe categories. Your AltoPlus has superior audio performance and ringer loudness, to ensure that you never miss a call or a spoken word again.

### Boost function – Amplifying incoming sounds

1. While on a call, **press the BOOST button** to engage the amplifier. The AltoPlus has a **BOOST** button and a **VOLUME** control wheel that control the loudness of the receiver. **(See Figure 6)**. Once the **BOOST** button is pressed or the **VOLUME** control wheel is rolled up past level 9), an extra level of amplification is added over the entire range of the Volume Control. During a call, the **BOOST** button can toggle the Clarity Power amplifier function on or off according to your needs. The **BOOST** button will reset automatically every time the phone is hung up. The **BOOST** light will illuminate (red) while the Boost function is activated.

**WARNING: LOUD VOLUME.** To protect hearing, lower the volume before engaging the Boost function.

2. Adjust the **VOLUME** wheel to achieve the desired sound level (to 50dB of amplification). The **VOLUME** control wheel adjusts the level of volume in the handset both in Boost Off and Boost On modes. Once the **BOOST** mode, the AltoPlus provides up to 50dB of gain. **(See Figure 7)**
3. Press the **TONE** button to customize your hearing experience. Since we all have different hearing preferences, we suggest exploring each setting to find the one most comfortable for you. These five preset settings, along with the custom setting and the volume amplification, are part of the Digital Clarity Power (DCP™) technology. **(See Figure 8)**

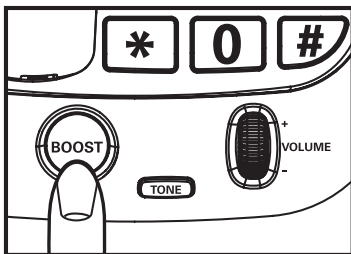


Figure 6

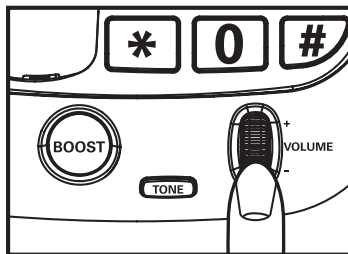


Figure 7

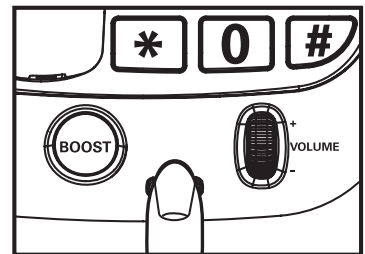


Figure 8

## OPERATIONS

### The available settings are:

**t1** - Low frequency emphasis: best used to hear low pitched sounds;

**t2** - Flat frequency response: best if you need all audible range of voice to be amplified;

**t3-t4** - High frequency emphasis: two settings, to best fit most people's levels of hearing loss.

**ha (Hearing Aid)** - this setting is recommended for Hearing Aid users – to ensure best audio performance while accounting for the presence of the hearing aid near the handset

**Custom (tc)** - in addition to the preset settings, the AltoPlus has a Custom mode, which can be accessed by pressing and holding the **TONE** button until the phone beeps and numeric keypad flashes once; the display shows “**T: 00**” (a 2-digit number); roll the **VOLUME** wheel up and down (range: 0-60 settings) until you have reached the best setting for your hearing. To save this setting, release the volume wheel and wait until the display shows the call timer and volume level again, OR press **TONE** quickly – you will see “**Custom**” displayed on your screen briefly. You now have a sixth tone setting – customized to your needs. You can toggle through all presets and the new custom setting by pressing the **TONE** button during your calls.

### NOTES:

**1. The Custom tone mode is available only after it is enabled (by pressing and holding the TONE button during a call).**

**2. Boost button is not active in speakerphone mode.**

### Boost Override

On the bottom of the AltoPlus, there is a **Boost Override** switch. When this is set to on the Boost function is automatically enabled every time the phone is picked up. In standard use, when the **BOOST OVERRIDE** switch is set to OFF, the Boost function turns off after the phone is hung up. Setting this switch to ON is suggested if all the users of the phone need the amplification. Setting this switch to OFF is useful when people with varying hearing ability use the phone.

**WARNING: LOUD VOLUME. Enable the BOOST OVERRIDE function only when all users of the phone require t Boost function to be active at the beginning of all calls.**



## MENU OPERATIONS

There are four main menu options on the AltoPlus: CID (Caller ID - optional feature, purchased separately from your phone service provider), Memory Dial, Phonebook and Language.

### Caller ID (CID) Operations

Caller ID is a service that is provided through your local telephone company. This telephone will automatically display the incoming caller's name and number along with the date and time of the call. It will record up to 40 calls.

When there is a new incoming call, the CID information will display on the second ring. The first row on the display will have the caller's ID (name).

If there is no information, the row will be blank. The second row displays the incoming telephone number. If the number is longer than 11 digits, the LCD will toggle the displayed number between the first 11 digits and the remaining digits.

**NOTE: The time and date are automatically set after receiving your first call (if you have CID service; if you do not have CID service, the date/time information is not displayed).**

### View CID

To view CID information press the **MENU** button. "**View CID?**" will display with the options of "**I YES 2 NO**" (See Figure 9). Select "**Yes**" by pressing the **One (1) button** and the most recent incoming call will be displayed. Press the **DOWN** arrow to view the next CID entry.

If there are no new calls, the screen will display "**No Calls**". You can also access the CID records by pressing **UP** or **DOWN** keys from the standby screen.

**NOTE: The display will time out and go to the standby screen if you have not made a selection within 30 seconds.**

**NOTE: You can view the CID list by pressing either the UP or DOWN key from standby (idle) mode.**

# MENU OPERATIONS

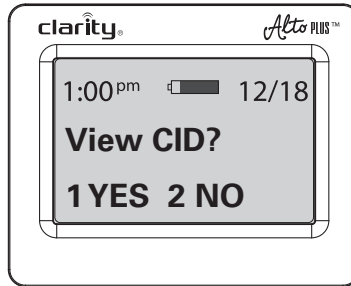


Figure 9

## Formatting and calling from CID

To format and/or make a call from the CID entry, select the desired CID entry and press the **ENTER** button. **“Pick Format”** will appear on screen first, then **“Press UP/DN”** will appear. Using the arrow keys, choose the desired format for the CID number, and press the **ENTER** button. (See Figure 10)

**NOTE: A seven digit number will not display the area code. A 10 digit number will display the area code without the numeral one (1). The 11 digit number will display the number, area code plus the numeral one (1).**

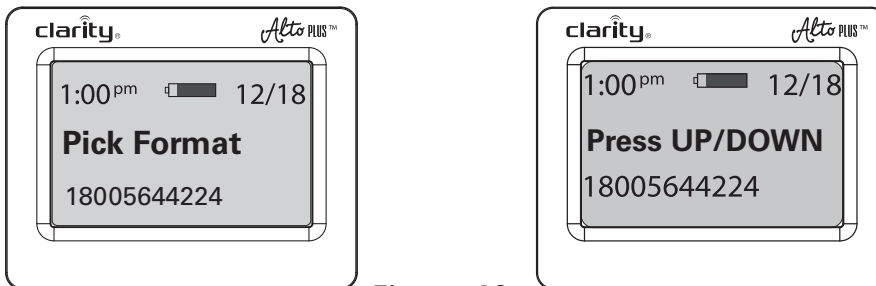
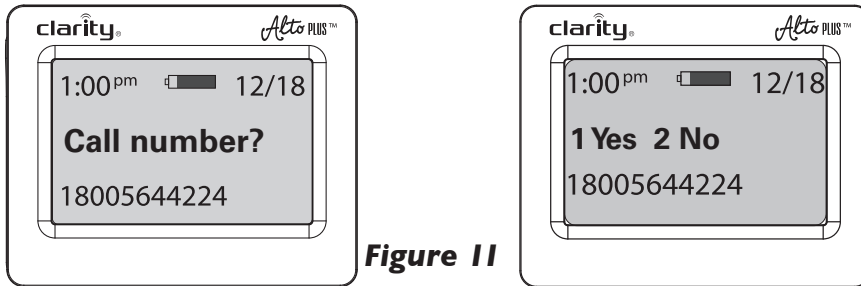


Figure 10

The next screens that will display are **“Call number?”** and **“I YES 2 NO”** with your chosen formatted number. (See Figure 11)

If you select **“Yes”** the CID entry will then be dialed. If you select **“No”** the CID will format and show the CID information.

## MENU OPERATIONS



**To store any CID record to one of the memory keys (M1-M3), follow the steps below:**

1. Pick the correct dialing format by following the steps above
2. Press **ENTER**.
3. Choose **“2” (No)** when asked if you want to dial the number. The record with the correct dialing format will be displayed on the screen.
4. Press and hold the memory key (M1-M3) you wish to use for this record. You are able to change the name of the record before storing it in the memory keys.
  - a. Press **DEL** to delete the displayed name, then use the keypad to enter your custom name (To introduce a space, press “1”).
  - b. Press **ENTER** or **DOWN** to edit the phone number (if needed).
  - c. Press **ENTER** again to store the record; the phone beeps, the display shows **“Num Stored”** and the record is stored.

Phone numbers can be stored into your phone’s memory to enable one button dialing. The phone directory allows space for three different phone numbers (**M1-M3**).

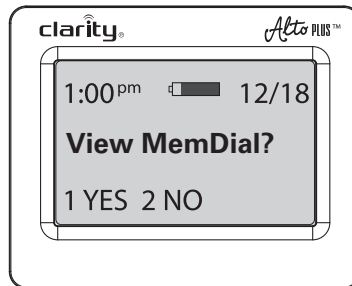
It is important to **not program 911** into your phone. This will prevent inadvertently calling an emergency call center. Only store emergency numbers such as a doctor, hospital, the local fire department or local police station numbers.

## MENU OPERATIONS

**NOTE:** Saving a CID record to a MemDial button that is not blank will overwrite the previously saved name/number without prompting.

### Programming/Editing Memory Dial Buttons

This feature allows you to program or edit numbers in the three memory locations (M1-M3) or make changes to the currently programmed numbers.



**Figure 12**

#### To program the memory keys:

1. Press the **MENU** button, then press the DOWN arrow to the “**View MemDial?**” screen. (See **Figure 12**) You will have the option of choosing “**Yes**” or “**No**”. Select “**Yes**” by pressing the **One (1)** button.
2. “**MemDial 1**” or the saved name and number will be displayed. (To go to the next MemDial location, press the **DOWN** arrow).
3. Use the **DEL** button to delete the text “**MemDial 1**” or name stored. Next, type in the name of the record you wish to store, then press **ENTER**.
4. Use the **DEL** button to delete the number to be edited. If there is no number stored, enter the telephone number you wish to store (up to 31 digits), then press **ENTER**. The number is now stored into the **M1** button, then the screen advances to the next memory location (M2).
5. Repeat the steps to program **M2**.

**To edit the memory keys:** repeat the programming sequence again.

**NOTE:** programming a location overwrites the previously saved number at that location. To enter a space, press “**1**”.

# MENU OPERATIONS

## Phonebook Operations

In addition to the three memory keys (M1-M3), you can manually save phone records for your mostly dialed numbers to the Phonebook in your AltoPlus. Follow the steps below to save up to ten additional records for easy access.

### To program the phonebook records:

1. Press the **MENU** button, then press the **DOWN** arrow twice to the “**View PhBook?**” screen. You will have the option of choosing “**Yes**” or “**No**”. Select “**Yes**” by pressing the **One (1)** button.
2. “**PhBook 1**” or the saved name and number will be displayed. (To go to the next phonebook location, press the **DOWN** arrow).
3. Use the **DEL** button to delete the text “**PhBook 1**” or name stored. Next, type in the name of the record you wish to store, then press **ENTER**.
4. Use the **DEL** button to delete the number to be edited. If there is no number stored, enter the telephone number you wish to store (up to 31 digits), then press **ENTER**. The number is now stored into the phonebook record, then the screen advances to the next phonebook record (**PhBook 2**).
5. Repeat the steps to program “**PhBook 2**”.

### Dialing the saved numbers (M1-M3 or Phonebook):

#### Memory keys (M1-M3)

1. In idle mode, press one of the memory keys; AltoPlus dials out the number stored in that memory key in speakerphone mode; lift the handset if you wish to transfer the call to handset mode  
- OR -
2. Lift handset, then press one of the three memory keys - to start the call in handset mode.

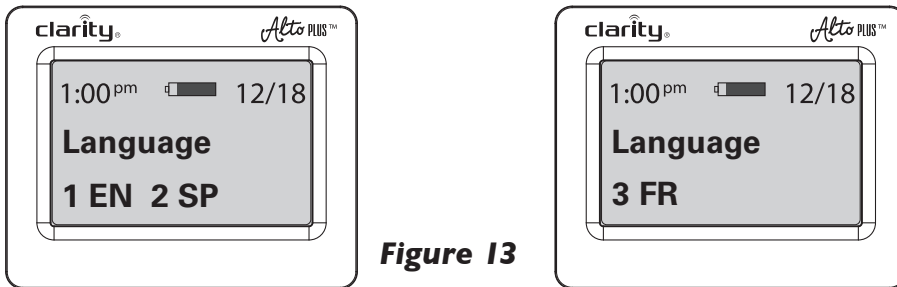
#### Phonebook

1. In idle mode, follow the steps to display the phonebook record you wish to call.
2. When the record is displayed on screen, lift the handset to call that number.

## MENU OPERATIONS

### Language

The user has the option to select English (default), French or Spanish for the screen text. Press the **MENU** button and press the **DOWN** arrow until “**Language**” is displayed on screen. Press **1** (one) for English, **2** (two) for Spanish or **3** (three) for French. (See **Figure 13**)



**Figure 13**

### During Talk Mode

**Date:** the date is displayed on your screen if you have Caller ID service from your phone company (purchased separately)

**Call timer:** the elapsed time of your call is displayed on the screen during a call.

**Volume level:** the volume level is displayed on the screen during a call.

### During Idle Mode

**Voicemail icon:** in idle screen, you will see the voicemail symbol if you have voicemail (service purchased separately from your phone service provider).

**OSA icon:** in idle screen, you will see the OSA icon if the OSA (Outgoing Speech Amplification) function is turned on.

**Backup battery level:** indicates the level of charge in your backup batteries (if installed).

## MENU OPERATIONS

“**Clarity**” is displayed on the screen in idle mode if the following standby screens are not applicable:

The number of CID calls are shown on screen: “**1 Call**”

“**No Ph Line**” is displayed if the phone line is not plugged in.

“**Batt Only**” is displayed alternatively with “**No DC power**” if the power adapter is not plugged in (no power).

“**Line In Use**” is shown if another phone on the same phone line is being used.

“**New VMail**” is shown if you have a new voicemail message (service purchased separately from your phone service provider).

**NOTE: If there is a new CID, “New VMail” and the number of new CID entries screen (example: “2 Calls”) will alternate.**

### Outgoing Speech Amplification (OSA)

This function amplifies your speech so it becomes louder to the person on the other end of the call. To enable this function, **press and hold** the **BOOST** button for five seconds. The phone beeps; the function can be enabled/disabled while on a phone call or in standby mode. The OSA light (part of the visual ringer) turns on when this function is enabled.

To return to the default setting for your voice volume level, press and hold the **BOOST** button again for three seconds. You will hear a beep confirming that the function is disabled.

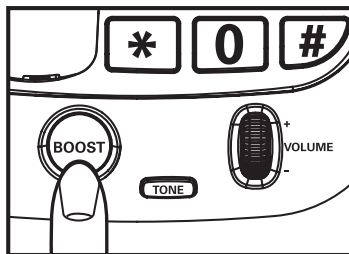


Figure 14

**NOTE: In order to experience the best audio quality for both parties during a call, we recommend you turn on this function only if your voice is too quiet. OSA is not active in speakerphone mode.**

## **TECHNICAL SPECIFICATIONS**

**Amplified dB Level:** 50dB/124 dBSPL

**Tone control range:** From 300 to 3000Hz

### **Dimensions:**

**Size:** 10.4" x 8" x 4.4" (26.4cm X 20.5cm x 11.2cm)

**Weight:** 2.7 lbs (1.23kg)

### **Power Requirements:**

**DC Adapter:** 9VDC, 800 mA

**Batteries:** 4 AA alkaline batteries (not included)



## **TROUBLESHOOTING**

### **No Dial Tone/Phone Will Not Operate**

1. Check all phone cords and connections. Make sure they are plugged-in securely.
2. Plug unit into a different phone jack to help determine if the difficulty is with the phone or the phone jack.
3. Switch out handset or telephone line cords.
4. Disconnect any other equipment that may be attached to the phone.

### **Unable To Dial Out**

1. Make sure the **TONE/PULSE** switch is set correctly.
2. Phone may be at the end of a long line of phones (loop). Phone may not be getting enough power from the phone line. It may be necessary to wait for a few seconds after lifting the handset to begin dialing.
3. The AltoPlus is not compatible with Digital PBX Systems. If a standard, single line phone works on the system, your AltoPlus should as well.
4. There is an advanced computer running inside the AltoPlus. Sometimes after the handset is picked up, it will take a little less than a second to engage the phone. Since it is not immediate, if you dial a number before the computer engages, it will not receive the entire phone number that is dialed.

### **The Person On The Other End Cannot Hear You**

1. Too many phones or phone devices on the line may affect your phone's transmission. As a guideline, more than five phones or phone devices may over load the phone line. Disconnect one or two devices to see if that eliminates the problem. If not, contact your local phone company for load guidelines.
2. You may not be speaking directly into the transmitter. Always speak directly into the mouthpiece in your normal tone of voice.

## **TROUBLESHOOTING**

### **Unable To Hear Phone Ringer**

1. Too many phone or phone devices on a line may cause your phone to not ring. Disconnect one or two of the devices to see if the problem is eliminated. If not, contact your local phone company for load guidelines.
2. If power is not being supplied to the phone, the extra loud ringer will not work.
3. Check the **MUTE/SILENT** light in idle mode - if it is on, the ringer is silent (it is turned off). Press the **MUTE/SILENT** button to turn the light off - the ringer should now be audible.

### **Volume Control Does Not Work**

1. BOOST must be activated to turn on the additional amplification.
2. Check power connections. BOOST will not work without power or backup batteries.

### **Unable To Access Automated Systems**

Automated systems used by banks, long distance voicemail and other applications require that a phone be set to TONE dialing. Check the switch on the bottom of the phone labeled **TONE/PULSE** and set to "T". This will enable the phone to be compatible with these automated systems.

If the power goes out, or the AC Adapter is not properly connected to the phone, the amplification, extra loud ringer and the lighted keypad will not work. If you have backup batteries installed, amplification will still work, but the phone will drain the backup batteries very quickly. This will cause the need for the batteries to be changed frequently and the Low Battery indicator light to constantly illuminate.

### **Do I Need to Install Batteries?**

Batteries are optional. They provide backup in case of a power outage. They are recommended in areas of frequent power outages. This phone uses four alkaline batteries. When installed and fully charged, the batteries maintain the high amplification for your telephone.

### **Still Not Working?**

**If, after going through this checklist, the AltoPlus is still not functioning properly, call ClarityLogic at 1-877-LOGIC24 (1-877-564-4224).**

Guía del Usuario

**clarity**<sup>®</sup>  
SMART FOR SENIORS

# Alto PLUS™

**Teléfono amplificado con DCP™, CID y altavoz**





## TABLA DE CONTENIDOS

<b>Instrucciones de seguridad importantes</b> .....	<b>30</b>
<b>ClarityLogic™</b> .....	<b>32</b>
<b>Lista de revisión de piezas</b> .....	<b>34</b>
<b>Instalación Básica</b> .....	<b>35</b>
<b>Instalación Básica</b> .....	<b>36</b>
<b>Conocer su AltoPlus</b> .....	<b>37</b>
<b>Usar su AltoPlus</b> .....	<b>42</b>
Función Boost (amplificar sonidos entrantes) .....	42
Anulación de función Boost (Boost Override) .....	43
<b>Menu Operations</b> .....	<b>44</b>
Operaciones del Identificador de Llamadas.....	44
Programar y editar los botones Memoria.....	46
Operaciones del Directorio .....	47
Marcar desde MI-M3 o desde el directorio .....	48
Idioma .....	48
<b>Amplificación del Micrófono del Teléfono (OSA)</b> .....	<b>49</b>
<b>Especificaciones Técnicas</b> .....	<b>50</b>
<b>Solución de Problemas</b> .....	<b>51</b>

## **INSTRUCCIONES DE SEGURIDAD IMPORTANTES**

Cuando utilice su aparato telefónico, debe tomar precauciones básicas de seguridad para reducir los riesgos de incendio, descarga eléctrica y lesiones a las personas, entre las que se incluyen las siguientes:

1. Lea y comprenda todas las instrucciones.
2. Siga todas las instrucciones y advertencias marcadas en el teléfono.
3. No utilice este teléfono cerca de una bañera, lavatorio, lavabo o el fregadero, en un subsuelo húmedo, cerca de una piscina o cualquier otro lugar con agua.
4. Evite utilizar un teléfono (que no sea inalámbrico) durante una tormenta. Existe el riesgo remoto de sufrir una descarga eléctrica por rayos.
5. No utilice el teléfono para avisar de una pérdida de gas, si se encuentra cerca a la pérdida.
6. Desenchufe el teléfono de la pared antes de limpiarlo. No utilice limpiadores líquidos o en aerosol para limpiar el teléfono. Utilice un trapo húmedo para limpiar el aparato.
7. Coloque este teléfono sobre una superficie firme. Si el teléfono se cayera, podría causar daños y/o lesiones graves.
8. No cubra las ranuras o aberturas del teléfono. Este teléfono nunca deberá colocarse cerca o sobre un radiador o fuente de calor. Este teléfono no debería instalarse en una instalación empotrada a menos que cuente con la ventilación apropiada.
9. Utilice este teléfono al voltaje indicado en la unidad base o en el manual del propietario. Si no está seguro del voltaje en su hogar, consulte con su distribuidor o con la compañía de energía locales.
10. No coloque nada sobre el cable de energía. Instale el teléfono de manera que nadie pise o se tropiece con el cable.
11. No sobrecargue las tomas en la pared o los cables alargadores, ya que esto puede aumentar el riesgo de descarga eléctrica o incendio.
12. Nunca fuerce ningún objeto por las ranuras del teléfono. Podría tocar puntos con voltaje peligroso o hacer cortocircuito en elementos que generen el riesgo de descarga eléctrica o incendio. Nunca vuelque ningún tipo de líquido sobre el teléfono.

**GUARDE ESTAS INSTRUCCIONES**

## **INSTRUCCIONES DE SEGURIDAD IMPORTANTES**

13. Para reducir el riesgo de descarga eléctrica, no desarme el teléfono. Quitar o abrir las carcasas puede exponerlo a voltajes peligrosos u otros riesgos. El re-armado incorrecto puede causar descarga eléctrica luego, cuando se utilice el aparato.
14. Ante alguna de las siguientes condiciones, desconecte del toma en la pared, y contáctese con el fabricante para reparaciones: Cuando el cable de suministro de energía o enchufe están dañados o desgastado; Si se volcó líquido en el interior del producto; Si el teléfono se vio expuesto a la lluvia o al agua; Si se cayó el teléfono o la carcasa está dañada; Si se nota un cambio notable en el funcionamiento del teléfono; Si el teléfono no funciona normalmente siguiendo las instrucciones de operación. Sólomente ajuste los controles que se expliquen en las instrucciones de operación. Un ajuste incorrecto puede resultar en trabajos complejos de un técnico calificado para restaurar el teléfono a las condiciones de operación normal.
15. Nunca instale cableado telefónico durante una tormenta eléctrica.
16. Nunca instale tomas de teléfono en áreas húmedas, a menos que el toma esté diseñado para soportar áreas húmedas.
17. Nunca toque los alambres o los terminales sin aislar del teléfono a menos que la línea telefónica se haya desconectado en el interfaz de la red.
18. Tenga cuidado al instalar o modificando las líneas telefónicas.

## **INSTRUCCIONES DE SEGURIDAD PARA LA BATERÍA**

### **Descarte las baterías usadas según las instrucciones.**

1. No descarte las baterías en el fuego, ya que pueden explotar. Verifique las normas locales, ya que pueden existir instrucciones de eliminación especiales.
2. No abra ni mutile las baterías. El electrolito liberado es corrosivo y puede causar daños en los ojos y la piel. Si se ingiere puede ser tóxico.
3. Tenga cuidado en el manejo de las baterías para que no hagan corto circuito con materiales conductores como anillos, pulseras o llaves. El material conductivo puede recalentarse y causar quemaduras.

**GUARDE ESTAS INSTRUCCIONES**

## Introducción a Clarity Logic

ClarityLogic es el nombre de nuestra simplificado y fácil de usar el servicio de soporte al cliente. Cuando se utiliza el botón ClarityLogic a contactar a los representantes de atención al cliente de Clarity, y autorizar Clarityto recibir información específica sobre su teléfono, Clarity puede acceder a información sobre el teléfono, tales como el nombre del modelo del teléfono y ajustes. De inmediato, el representante toma conocimiento del tipo de teléfono y de las configuraciones actuales. Esto permite que cualquier llamada para detectar y resolver problemas sea rápida y simple, lo que lo ayuda a usted a encontrar exactamente lo que está buscando. Solo llame a 1-877-LOGIC24 (1-877-564-4224) para conocer cómo trabaja Clarity y simplifique su vida.

## Llamada a ClarityLogic© utilizando la memoria del equipo

Para su comodidad, Clarity ha programado Anteriormente el número de asistencia al cliente en el botón azul ClarityLogic que se encuentra en su teléfono.

**Nota:** *ClarityLogic ha sido diseñado para trabajar con el servicio telefónico tradicional Plain Old Telephone Service (POTS). Si su servicio telefónico es suministrado por un proveedor de banda ancha, ClarityLogic puede funcionar. SOLO CLARITYLOGIC PUEDE DESHABILITARSE. EL RESTO DE LAS CARACTERÍSTICAS FUNCIONAN TAL COMO SE DESCRIBEN EN ESTA GUÍA DEL USUARIO.*



## INTRODUCCIÓN

**Gracias por comprar el nuevo AltoPlus de Clarity** – proporcionar una experiencia superior, ofreciendo un audio claro y en voz alta, para asegurar que no se pierda una sola palabra más. Por favor, lea estas instrucciones para asegurarse de que aprovechar el conjunto completo de características avanzadas que ofrece este producto.



### **Nuestra compañía**

*Clarity, una división de Plantronics (NYSE: PLT), crea soluciones inteligentes de comunicación que ayudan a personas de la tercera edad a disfrutar más la vida y estar mejor comunicados. Fundada hace más de 40 años, Clarity es un líder mundial en teléfonos amplificadas, sistemas de notificación y dispositivos de asistencia auditiva.*

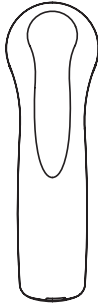
*Clarity produce siete líneas distintas de productos y servicios: Clarity®, Clarity Professional®, ClarityLife®, Clarity AlertMaster®, ClarityLogic®, Ameriphone® y auricular/ conjuntos de prueba Walker™.*

*Los innovadores productos de comunicación de la compañía están todos diseñados para ayudar a personas con pérdida auditiva, baja visión, movilidad reducida, problemas de destreza y otros desafíos de la salud.*

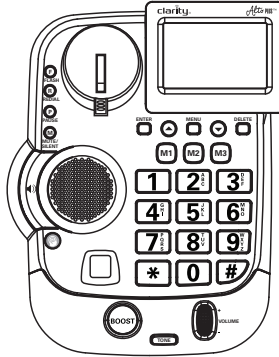
## LISTA DE REVISIÓN DE PIEZAS

Su paquete incluye todos los artículos como se muestra aquí. Si hay cualquier cosa que falta, entre en contacto con por favor nuestro departamento del cuidado del cliente inmediatamente.

**NOTA: CONSERVE POR FAVOR UN COPY DE LA PRUEBA DE LA COMPRA PARA SUS EXPEDIENTES.**



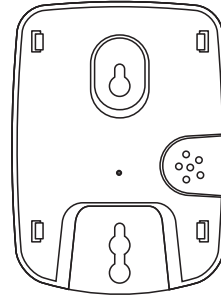
Auricular de mano



Unidad de Base



Línea telefónica  
(une longue corde et  
une corde courte)



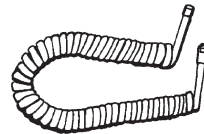
Soporte de montaje



Adaptador de CD



Guía de Usuario



Cordón helicoidal del  
auricular de mano

# INSTALACIÓN SU ALTOPLUS

## Instalación Básica

**Paso 1:** Instale las baterías de reserva (opcional) al quitar la tapa de baterías. Solo usar baterías alcalinas AA. NO use baterías recargables. **(Figura 1)**

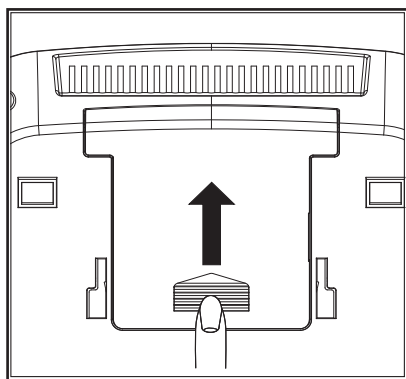
**Paso 2:** Tire de los extremos del cable telefónico para desenredarlo; conecte el extremo suelto al tomacorriente de teléfono de la pared. **(Figura 2)**

**Paso 3:** Coloque el auricular en la base.

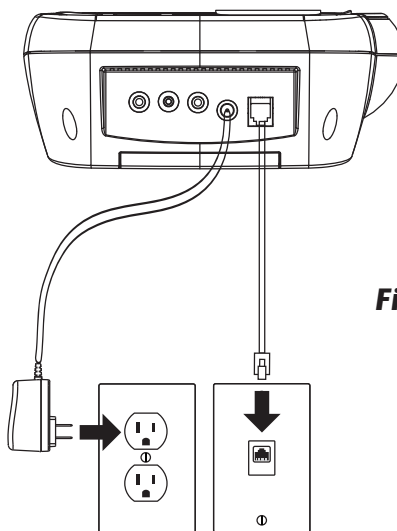
**Paso 4:** Tire de los extremos del cable de alimentación para desenredarlo; enchufe el adaptador en el tomacorriente eléctrico de su pared.

**IMPORTANTE:** Solo usar con la fuente de alimentación Clase 2, que se suministra con su producto.

**Paso 5:** Cuando haya terminado, levante el auricular para hacer una prueba. Si escucha el tono de marcado, ya puede usar el teléfono. Si no lo escucha, revise de nuevo todas las conexiones.



**Figure 1**



**Figure 2**

Si hay un corte de luz, AltoPlus mantendrá toda su amplificación por hasta 48 horas con cuatro baterías alcalinas AA de reserva (no incluidas).

El teléfono funciona como uno normal si no hay electricidad ni baterías

de reserva. En este caso, estarán desactivados: el timbre de alto volumen, las luces indicadoras, el teclado numérico con luces y la amplificación. Aunque todavía podrá hacer y recibir llamadas, la amplificación adicional no estará activa.

Recomendamos instalar las baterías si vive en una zona con cortes de luz frecuentes.

# INSTALACIÓN SU ALTOPLUS

## Instalación para montaje en la pared

- Paso 1:** Saque hacia afuera de la base el gancho del auricular y revíértalo para que apunte hacia arriba y así sostendrá el auricular cuando usted cuelgue. **(Figura 3)**
- Paso 2:** Tire de los extremos del cable telefónico para desenredarlo; ubíquelo en la ranura en la parte posterior del teléfono. Inserte las lengüetas del soporte de montaje en las muescas de la parte posterior del teléfono. Empuje el soporte de montaje hacia adentro y abajo hasta que encaje en su posición. **(Figura 4)**
- Paso 3:** Enchufe el cable liso de la línea telefónica en el tomacorriente de la placa de pared, alinee las muescas del soporte de montaje con los clavos de la placa de pared y deslice la base del teléfono hacia abajo para fijarla en la pared. **(Figura 5)**

Figure 3

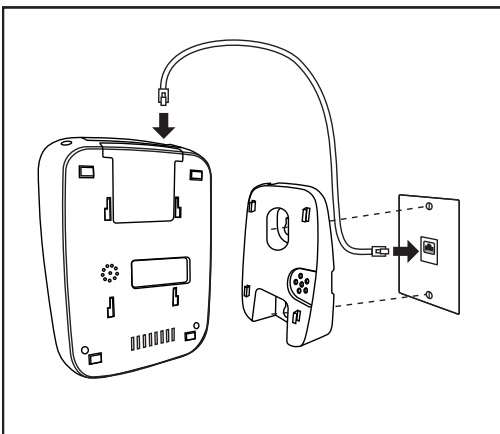
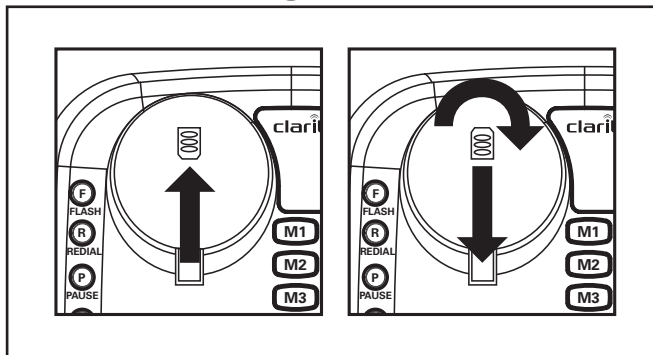


Figure 4

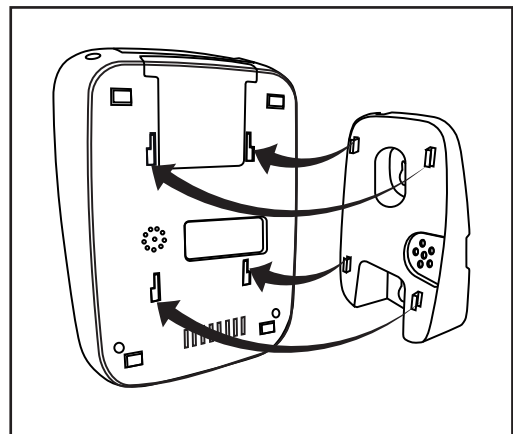
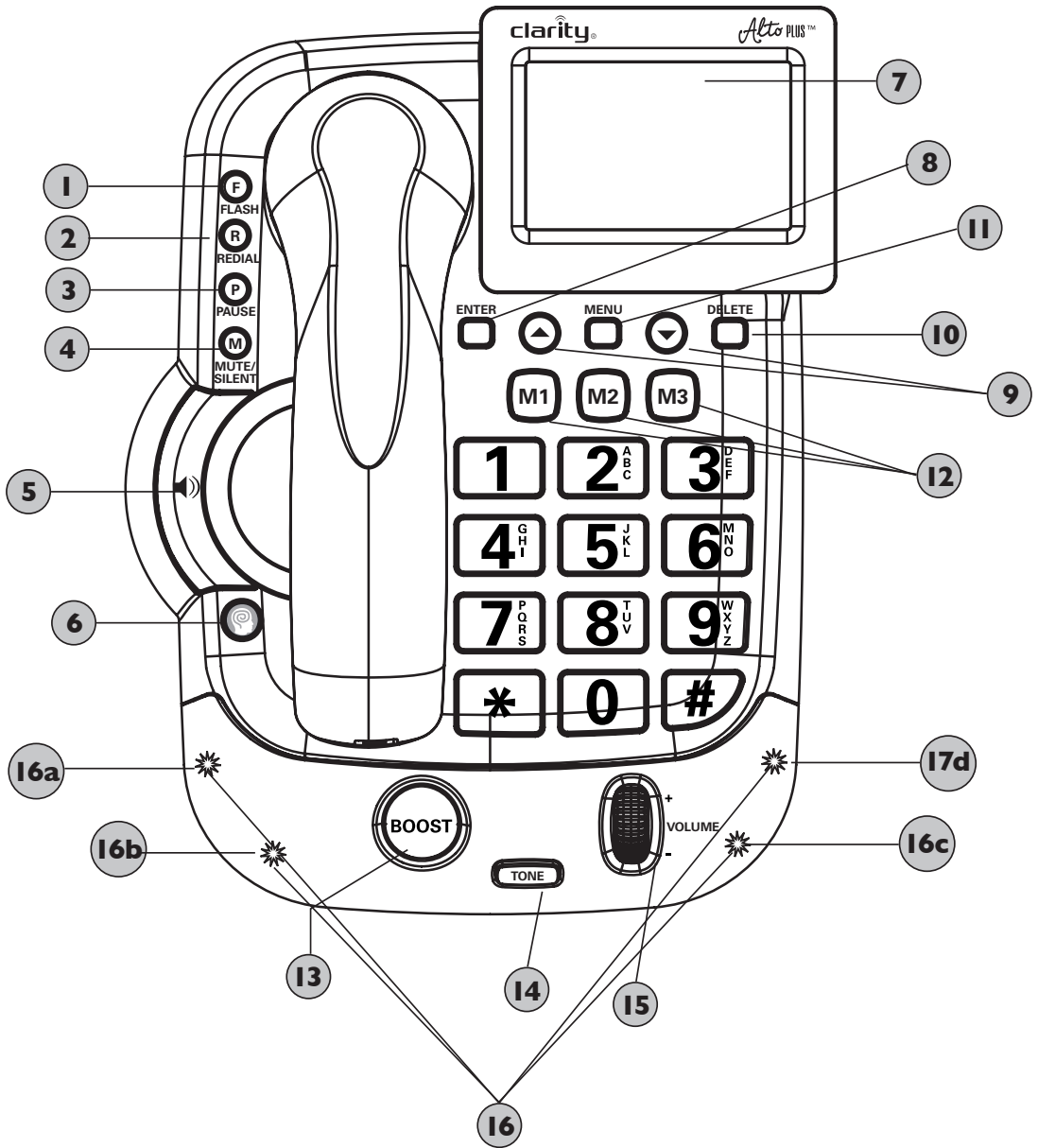


Figure 5

# CONOCER SU ALTOPLUS



## CONOCER SU ALTOPLUS

1. Botón **FLASH**: use este botón para activar la función de Llamada en espera con identificador de llamadas o Llamada en espera (función suministrada por la empresa local de telefonía).
2. Botón **REDIAL**: use este botón para volver a llamar al último número marcado (hasta 32 dígitos).
3. Botón **PAUSE**: cuando esté en modo de programación, presione el botón para insertar una pausa de dos segundos.
4. Botón **MUTE/SILENT**:
  - a. **Durante una llamada**: presione el botón **MUTE/SILENT** para silenciar su lado de la conversación para obtener más privacidad; el botón parpadeará dos veces con el color rojo para indicar que está en modo MUTE. Vuelva a presionar el botón para desactivar la función y volver a su llamada.
  - b. **En modo inactivo**: presione el botón **MUTE/SILENT** para desactivar el timbre del teléfono. El botón estará iluminado con color rojo cuando el sonido del timbre esté desactivado.
  - c. **Durante una llamada entrante**: presione **MUTE/SILENT** para desactivar el timbre solo para esa llamada; el timbre del teléfono sonará cuando reciba la próxima llamada.
5. Botón **(Altavoz)**: presione este botón para activar la función de altavoz y una segunda vez para desactivarla. Cuando el altavoz está activo, el botón se ilumina con color rojo.
6. Botón **ClarityLogic**: presione el botón azul para acceder de forma directa a un representante de Atención al Cliente.
7. **MENU Screen**: show the CID information, memory records, your phonebook, show information about the volume and tone levels, etc.
8. Botón **ENTER**: presione este botón para confirmar las opciones que aparecen en la pantalla.
9. Botones de **Flechas (UP/DOWN)**: presione estos botones para navegar por las opciones del menú y los registros de CID y memoria.
10. Botón **DEL**: press to delete CID/memory records and to edit names/numbers.
11. Botón **MENU**: presione este botón para acceder al menú y revisar la memoria y el CID y la configuración de idioma.
12. Botones **MEMORY (M1 – M3)**: para números guardados (consultar: 38 **ALMACENAMIENTO DE MEMORIA**).

## CONOCER SU ALTOPLUS

**13. Botón BOOST:** presione **BOOST** para activar la amplificación adicional. Con el modo encendido, Boost On, el teléfono tiene un rango de volumen que alcanza 50 dB de amplificación. Cuando está activo, el botón **BOOST** se ilumina con color rojo. Presione de nuevo para apagar la amplificación adicional.

- a. Si presiona y sostiene el botón **BOOST** (5 segundos), activa la función Amplificación del Micrófono del Teléfono (Outgoing Speech Amplification, OSA, por sus siglas en inglés). **Lea la sección de OSA antes de encender esta función.**

**14. Botón TONE:**

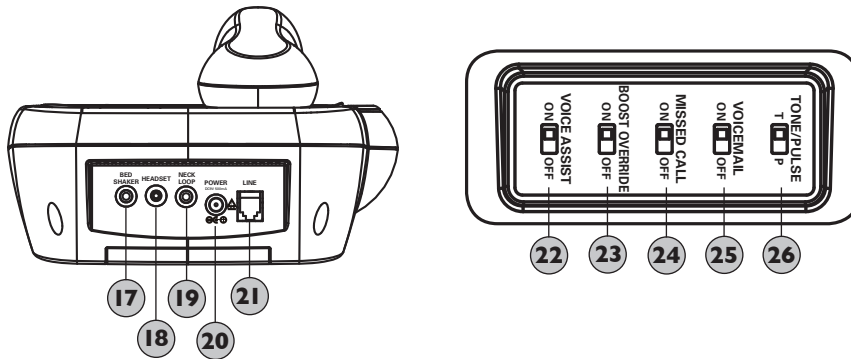
- a. **Durante una llamada:** presione el botón **TONE** para alternar entre las configuraciones predeterminadas de tono en su unidad y elija la que mejor se ajuste a sus necesidades. Hay disponibles cinco configuraciones predeterminadas de tono en su unidad: desde las que acentúan frecuencias bajas hasta las que destacan las altas; las configuraciones están diseñadas específicamente para asegurar la mejor experiencia auditiva durante sus llamadas. Se recomienda una de las configuraciones de tono para personas con audífonos, ya que ofrece un rendimiento auditivo superior al tener en cuenta la presencia del dispositivo. La configuración de tono se muestra en la pantalla mientras alterna entre las distintas configuraciones.
  - i. Presione y sostenga el botón **TONE** para ingresar en el modo Custom, que permite un ajuste preciso de la voz en el audífono. Ver la sección de la **Función Boost (amplificar sonidos entrantes).**
- b. **Durante en modo inactivo:** presione el botón **TONE** para alternar entre las distintas configuraciones disponibles del tono de timbre. Hay seis tonos de timbre entre los que elegir, que abarcan una variedad de tonalidades, para garantizar que siempre escuche el timbre de una llamada entrante.

**15. VOLUME (Rueda de volumen)**

- a. **Durante una llamada:** desplace la rueda para subir o bajar el volumen de la llamada entrante. Al aumentar el volumen, encontrará que se enciende la luz del botón **BOOST** a medida que accede al modo encendido, Boost On.
- b. **Durante en modo inactivo:** desplace la rueda de volumen para subir o bajar el volumen del timbre. Podrá escuchar el timbre en este modo.

**16. Luces de timbre visual:** hay cuatro luces que se encienden (en un patrón intermitente) cuando suena el timbre del teléfono. Además, estas luces indican diversas funciones (si esas características están activadas, se enumeran a continuación de izquierda a derecha debajo del lente del timbre visual):

## CONOCER SU ALTOPLUS



- a. **Luz de Llamada perdida:** se enciende cuando se haya puesto el interruptor **MISSED CALL** en la posición ON (encendido) y haya al menos una llamada entrante no respondida.
  - b. **Luz de Correo de voz:** se enciende cuando se haya puesto el interruptor **VOICEMAIL** en la posición ON (encendido) y haya un correo de voz que todavía no haya escuchado (servicio por separado, ofrecido por su proveedor de telefonía).
  - c. **Luz OSA:** se enciende cuando la función OSA (amplificación del micrófono del teléfono) está activada.
  - d. **Luz de Batería baja:** se enciende cuando debe reemplazar las baterías de reserva.
- 17. BEDSHAKER** (Puerto para DISPOSITIVO VIBRADOR): inserte el dispositivo vibrador opcional (se vende por separado, modelo C2210). Vibrará para indicar las llamadas entrantes. Para obtener más información sobre cómo comprarlo, comuníquese con Clarity al 1 800 426 3738.
  - 18. HEADSET** (Puerto para headset): inserte un headset estándar (con enchufe de 2.5 mm) para usar en lugar del auricular del teléfono. Para obtener más información sobre cómo comprarlo, comuníquese con Clarity al 1 800 426 3738.
  - 19. NECKLOOP** (Puerto para cable en espiral): inserte un cable en espiral (con enchufe mono de 3.5 mm) para usar con su audífono con un cable de este tipo. Recomendamos el cable en espiral Clarity CE30. Para obtener más información sobre cómo comprarlo, comuníquese con Clarity al 1 800 426 3738.
  - 20. POWER** (Puerto de ENERGÍA): (para el adaptador de corriente)
  - 21. LINE** (Puerto de LÍNEA): (para el cable telefónico)



## CONOCER SU ALTOPLUS

22. Interruptor **VOICE ASSIST**: póngalo en la posición ON (encendido) si desea escuchar qué números presiona durante el marcado (tanto con el auricular como en altavoz).
23. Interruptor **BOOST OVERRIDE**: póngalo en la posición ON (encendido) si desea activar la función Boost al comienzo de todas las llamadas.
24. Interruptor **MISSED CALL**: póngalo en la posición ON (encendido) si desea habilitar la luz de Llamada perdida.
25. Interruptor **VOICEMAIL**: póngalo en la posición ON (encendido) para activar la luz de Correo de voz (servicio ofrecido por su proveedor de telefonía). Cuando hay un correo de voz en su buzón, se enciende la luz debajo del lente de timbre visual.
26. **TONE/PULSE** switch: con este interruptor, elija el método deseado de marcado..

## OPERACIONES

Su unidad está diseñada para adherirse al nuevo estándar TIA-4953, el cual define el rendimiento de audio específico que compensa la pérdida auditiva, ya sea desde las categorías más leves hasta las más graves. Su AltoPlus tiene un rendimiento de audio superior y volumen más alto de timbre, para garantizar que nunca vuelva a perder ni una palabra, ni una llamada.

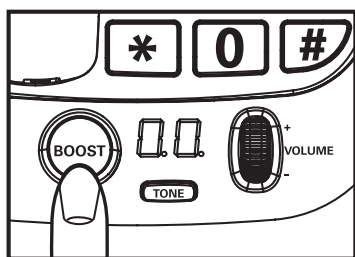
### **Función Boost (amplificar sonidos entrantes)**

- I. Mientras está en una llamada, **presione el botón BOOST** para activar el amplificador. AltoPlus tiene un botón **BOOST** y una rueda de control de volumen que controla el volumen del receptor. (**Figura 6**) Cuando haya presionado el botón **BOOST** (o la rueda de control de volumen haya pasado el nivel 9), se agrega un nivel adicional de amplificación en todo el rango de Control de Volumen. Durante una llamada, el botón **BOOST** puede encender y apagar la función de amplificación Clarity Power, conforme a sus necesidades. El botón **BOOST** se restablecerá automáticamente cada vez que se cuelgue el teléfono (a menos que el interruptor **BOOST OVERRIDE** esté en la posición ON, encendido. Ver la sección Anulación de función Boost). El botón **BOOST** se iluminará con color rojo mientras la función este activada.

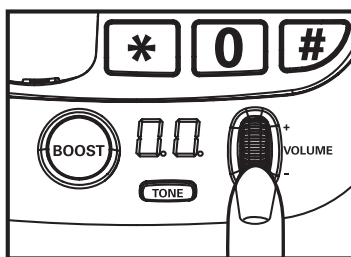
**ADVERTENCIA: VOLUMEN ALTO. Para proteger la audición, baje el Control de Volumen antes de activar la función Boost.**

## OPERACIONES

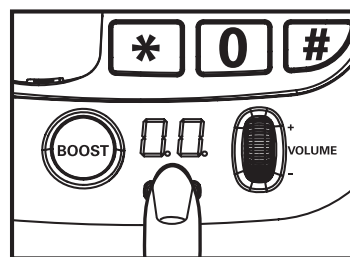
- Ajuste la rueda de volumen (**VOLUME**) para llegar al nivel de sonido deseado (hasta 50 dB de amplificación). La rueda de control de volumen ajusta el nivel de éste en el auricular, tanto cuando el modo Boost está activado como cuando está desactivado. Cuando se haya presionado el botón **BOOST**, AltoPlus ofrece hasta 50 dB de ganancia. (**Figura 7**)
- Presione el botón **TONE** para personalizar su experiencia auditiva. Como cada persona tiene distintas preferencias de audición, sugerimos explorar cada configuración para encontrar la que le resulte más cómoda. Estas cinco configuraciones predeterminadas, junto con la personalizada y la amplificación de volumen, son parte de la tecnología Digital Clarity Power (DCP™). (**Figura 8**)



**Figura 6**



**Figura 7**



**Figura 8**

### Las configuraciones disponibles son:

- t1** - Frecuencias bajas acentuadas: es mejor usarlo para escuchar sonidos de tonos bajos.
- t2** - Respuesta plana en frecuencia: es lo mejor si necesita amplificar todo el rango perceptible de voz.
- t3-t4** - Frecuencias altas acentuadas: dos configuraciones, que se adecúan mejor a los niveles de pérdida auditiva de la mayoría de las personas.

**ha (audífono)** - se recomienda esta configuración para usuarios de audífonos: se garantiza el mejor rendimiento auditivo mientras que se tiene en cuenta la presencia del audífono cerca del auricular del teléfono.

**Personalizado (tc)** - Además de las configuraciones predeterminadas, AltoPlus tiene un modo personalizado, que se puede acceder pulsando y manteniendo pulsado el botón **TONE** hasta que suene el teléfono y el teclado numérico parpadea una vez, la pantalla muestra "T: 00" (un número de 2 dígitos); entonces, desplace hacia arriba y hacia abajo la rueda de **VOLUME** (rango: configuraciones 0-60) hasta que haya encontrado la que mejor se adecúa a su audición. Para guardar esta configuración, suelte la rueda de volumen

## OPERACIONES

(**VOLUME**) y espere hasta que la pantalla muestre de nuevo el nivel de volumen, o bien presione rápido el botón **TONE**: verá que se muestra “**Custom**” en su pantalla. Ahora tiene una sexta configuración de tono: personalizada para sus necesidades. Puede alternar entre todas las configuraciones (las predeterminadas y la nueva personalizada) si presiona el botón **TONE** durante las llamadas.

### NOTAS:

- 1. El modo de tono Personalizado sólo está disponible después de que esté activado (al presionar y mantener presionado el botón TONE durante una llamada).**
- 2. El botón BOOST no está activo en el modo altavoz.**

### Anulación de función Boost (Boost Override)

En el extremo inferior de AltoPlus, hay un interruptor **BOOST OVERRIDE**. Cuando lo pone en la posición **ON** (encendido), la función Boost se activa automáticamente cada vez que se levanta el teléfono. En el uso normal, cuando el interruptor **BOOST OVERRIDE** está en la posición **OFF** (apagado), la función Boost se desactivará cada vez que se cuelga el teléfono. Se sugiere que se deje en la posición **ON** (encendido) si todos los que usan el teléfono necesitan la amplificación. Dejarlo en la posición **OFF** (apagado) es útil cuando los que usan el teléfono tienen diversos grados de capacidad auditiva.

**ADVERTENCIA: VOLUMEN ALTO. Active la función BOOST OVERRIDE sólo cuando todos los que usan el teléfono requieren que la función Boost esté activa al comienzo de todas las llamadas**

## OPERACIONES DE MENÚ

Hay cuatro opciones principales de menú en AltoPlus: CID, Memory Dial, Phonebook y Language. (Para cambiar de una opción principal del menú a la otra, presione la flecha hacia abajo).

**NOTA: si en algún momento desea volver a la pantalla en espera, presione la tecla MENU.**

### Operaciones del Identificador de Llamadas

El Identificador de llamadas (CID, por sus siglas en inglés) es un servicio ofrecido por su proveedor local de telefonía. Este teléfono mostrará automáticamente el nombre y el número de la persona que llama, junto con la fecha y la hora de la llamada. Registrará hasta 40 llamadas.

Cuando hay una nueva llamada entrante, la información de CID se mostrará la segunda vez que suene el timbre. La primera fila en la pantalla tendrá la identificación de quien llama (nombre).

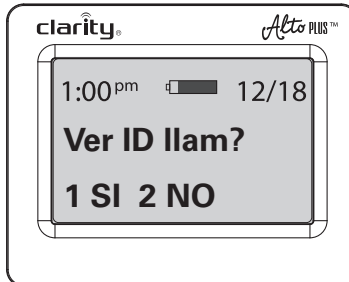
Si no hay información, aparecerá en blanco. La segunda fila muestra el número de teléfono de quien llama. Si el número tiene más de 11 dígitos, la pantalla LCD alternará entre los primeros 11 dígitos y los restantes del número mostrado.

**NOTA: La hora y la fecha se fija automáticamente después de recibir su primer llamado.**

### Ver CID

Para ver la información del CID, presione el botón **MENU**. Se mostrará “**Ver ID llam?**” con las opciones “**1 SI 2 NO**”. Seleccione “**SI**” presionado el botón **Uno (1)** y se mostrará la llamada entrante más reciente. Presione la flecha hacia abajo para ver el siguiente registro de CID.

Si no hay llamadas nuevas, la pantalla mostrará “**Sin Llam**”. También puede acceder a los registros de CID si presiona las flechas **UP** o **DOWN** en la pantalla en espera.



**Figure 9**

## OPERACIONES DE MENÚ

**NOTA:** Si, después de 30 segundos, no ha hecho una selección, la pantalla volverá al modo en espera.

**NOTA:** Puede ver la lista de CID si presiona las flechas UP o DOWN en el modo en espera (inactivo).

### Elegir Formato y Llamar desde el CID

Para elegir un formato y hacer un llamado desde una entrada de CID, seleccione la entrada deseada y presione el botón **ENTER**. Primero aparecerá la opción de elegir formato, “**Escoj format**”, y luego le pedirá que suba o baje, con “**Pres. UP/DN**”. Con las teclas de flechas, elija el formato deseado para el número de CID y presione el botón **ENTER**. (Figura 10)

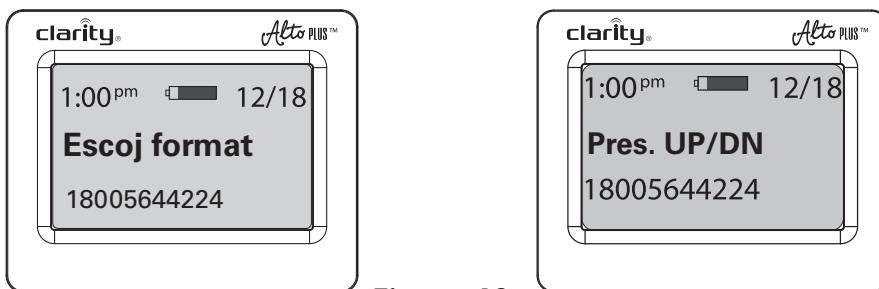


Figure 10

**NOTA:** Un número de siete dígitos no mostrará el código de área. Un número de 10 dígitos mostrará el código de área sin el número uno (1). El número de 11 dígitos mostrará el código de área y el número telefónico, con el número uno (1).

Las siguientes pantallas que se mostrarán son: **Llamar num?** y “**1 SI 2 NO**” con el formato elegido para el número.. (Figura 11)

Si elige “**SI**”, se marcará la entrada del CID. Si elige “**NO**”, el CID mostrara el formato y la información del CID.

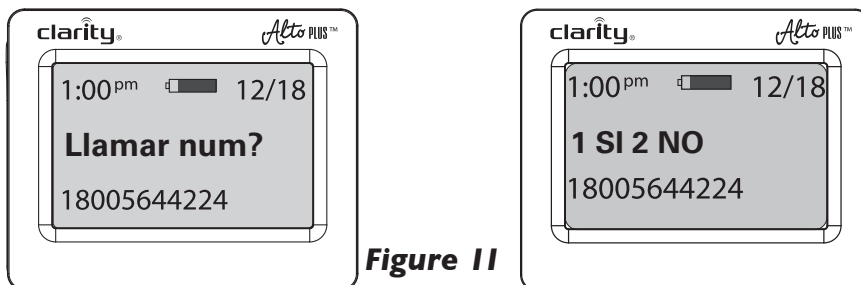


Figure 11

## OPERACIONES DE MENÚ

**Para guardar un registro del CID a una de las teclas Memoria, haga lo siguiente:**

1. Elija el formato correcto de marcado siguiendo los pasos anteriores.
2. Presione **ENTER**.
3. Elija **“2” (NO)** cuando se le pide si quiere marcar ese número. El registro con el formato correcto de marcado se mostrará en la pantalla.
4. Presione y mantenga presionada la tecla Memory que desea usar para este registro. Podrá cambiar el nombre del registro antes de guardarlo en las teclas memory.
  - a. Presione **DEL** para borrar el nombre mostrado y use el teclado numérico para ingresar el nombre personalizado (para ingresar un espacio, presione “I”).
  - b. Presione **ENTER** o **DOWN** para editar el número telefónico (si así lo desea).
  - c. Presione **ENTER** de nuevo para guardar el registro: el teléfono emitirá un pitido, la pantalla mostrará **“Num almac”** y el registro estará guardado.

Los números telefónicos pueden guardarse en la memoria del teléfono para marcarlos con un solo botón. El directorio telefónico tiene lugar para tres números de teléfonos distintos (**MI-M3**).

Es importante no programar el 911 en el teléfono. Esto evitará que llame sin darse cuenta a un centro de llamadas de emergencia. Solo debería guardar números de emergencia, como los de un doctor, hospital, el departamento local de bomberos y de la policía.

**NOTA: Guardar un registro del CID a un botón MemDial que no esté vacío sobrescribirá sin advertencia el nombre o el número antes guardado.**

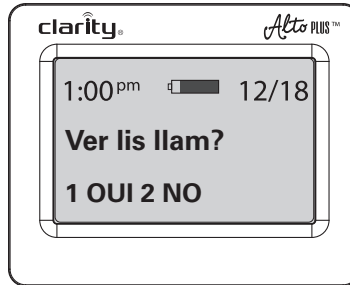
### **Programar y editar los botones Memoria**

Esta función permitirá al usuario programar o editar los números de las cuatro ubicaciones Memoria (MI-M3) o hacer cambios en los números de la actual programación.

#### **Para programar las teclas de memoria:**

1. Presione el botón **MENU** y, luego, la flecha hacia abajo para ver la pantalla **“Ver lis llam”**. (**Figura 12**) Tendrá la opción de elegir entre **“SI”** o **“NO”**. Seleccionar **“SI”** al presionar el botón **Uno (1)**.
2. Aparecerá **“Mem Mar I”** o el nombre y el número guardado (para elegir la siguiente ubicación de Memoria, presione la flecha **DOWN**).

## OPERACIONES DE MENÚ



**Figure 12**

3. Use el botón **DEL** y borre "**Mem Mar 1**" o el nombre guardado. A continuación, escriba el nombre del número que quiere guardar. Presione el botón **ENTER**.
4. Si no hay un número guardado, escriba el que quiere guardar. Presione **ENTER** otra vez. Se ha guardado el número en el botón **MI**. El menú lo llevará a la próxima ubicación de memoria: "**Mem Mar 2**". (NOTA: para ingresar un espacio, presione "1")
5. Repita estos pasos para programar "**Mem Mar 2**" (**M2**).

**NOTA: (Para insertar un espacio, presione "1").**

**NOTA: Para ver los registros guardados en los botones Memory Dial, debe presionar MENU, y la tecla DOWN hasta que aparezca el submenú "View MemDial?". Presionar las teclas Memory en el modo en espera (o mientras está con una llamada en curso) marcará directamente los números, sin necesidad de otras acciones (marcado con un solo toque).**

### **Operaciones del Directorio**

Además de las tres teclas de memoria (**MI-M3**), puede guardar manualmente los registros de teléfono de sus números más marcados en el Directorio de AltoPlus. Siga los pasos siguientes para guardar hasta diez registros adicionales para el acceso fácil.

#### **Para programar los registros del directorio telefónico:**

1. Presione **MENU**; presione **DOWN** (o "2") dos veces, para ver "**Ver Agenda?**". Presione "1" o **ENTER** para seleccionar esta opción; la pantalla mostrará "**Agenda 1**", con un cursor intermitente para editar el campo de nombre.
2. Con el teclado numérico y la tecla **DEL**, ingrese el nombre del registro que quiere agregar al directorio. Presione **ENTER** para guardar el nombre; el cursor intermitente se moverá al campo de número.

## OPERACIONES DE MENÚ

3. Con el teclado numérico, ingrese el número telefónico para ese registro, en el formato que necesite estar para que se marque de forma correcta (7-10-11 dígitos, según sea necesario).
4. Presione **ENTER**; el registro (nombre y número) está guardado como se muestra, y ahora verá el próximo registro del directorio.
5. Repita los pasos anteriores para guardar registros adicionales o presione **MENU** para volver a la pantalla inactiva.

### Marcar desde MI-M3 o desde el directorio:

#### En Teclas Memory (MI-M3)

1. En el modo inactivo, presione **MI-M3**; AltoPlus marcará en altavoz el número guardado en la tecla Memoria; levante el auricular si quiere transferir la llamada a ese modo.

- O BIEN -

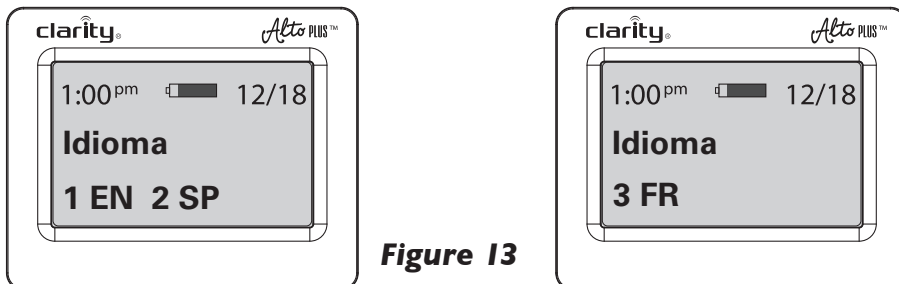
2. Levante el auricular y presione una de las tres teclas Memory; AltoPlus marca el número en el modo de auricular.

#### En Directorio

1. En el modo inactivo, siga los pasos para ver el registro guardado en Directorio que desea marcar.
2. Una vez que se muestra el registro al que desea llamar, levante el auricular para marcar en este modo o presione el botón altavoz para llamar en este modo.

#### Idioma

El usuario tendrá la opción de seleccionar inglés, francés o español. Presione el botón **MENU** y presione la flecha Down hasta que aparezca “Idioma”. Presione “1” (**Uno**) para inglés, “2” (**Dos**) para español y “3” (**Tres**) para francés. (Figura 13)





## OPERACIONES DE MENÚ

### Durante el Modo Hablar

Mientras esté con una llamada, la pantalla mostrará un cronómetro y el nivel de volumen. Si usted realizó la llamada, también mostrará el número marcado.

### Durante el modo inactivo

Si las siguientes pantallas no están disponibles, se mostrará “**Clarity**” en el modo inactivo. El número de las llamadas del CID se registrarán en la pantalla (por ejemplo, “**1 llam**”).

Aparecerá “**Sin Lin**” si no hay ninguna línea telefónica enchufada. Si no hay corriente eléctrica, aparecerá “**Solo Batt**” y se alternará con “**Sin Corr. DC**”.

Cuando se usa otro teléfono de la misma línea, se mostrará “Line In Use”. Si hay un nuevo mensaje de correo de voz, aparecerá “**Nuevo Correo**”.

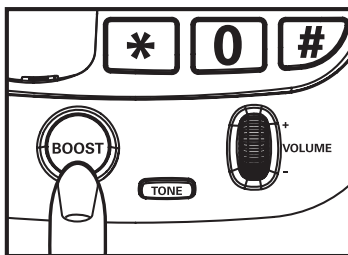
**NOTA: Si hay una nueva entrada de CID, alternarán “Nuevo Correo” y el número de la pantalla de nuevas entradas del CID (por ejemplo: “2 llams”).**

### Amplificación del Micrófono del Teléfono (OSA)

Esta función amplifica el micrófono del teléfono para que el interlocutor lo escuche más alto. Para activar esta función, presione y mantenga presionado el botón BOOST por cinco segundos. El teléfono emitirá un pitido y el ícono y la luz OSA se encenderán; la función se podrá activar y desactivar en el modo en espera y durante una llamada.

Para volver a la configuración predeterminada para el nivel de volumen de su voz, presione de nuevo y mantenga presionado el botón BOOST por cinco segundos. Escuchará un pitido que confirmará que la función está desactivada y la OSA se apaga (se apagan el ícono y la luz OSA).

Figure 14



**NOTA: Para experimentar la mejor calidad de audio para ambos interlocutores durante la llamada, recomendamos que encienda esta función solo si el tono de su voz es demasiado bajo. OSA no estará activo en el modo altavoz.**

## **ESPECIFICACIONES TÉCNICAS**

**Nivel de amplificación en dB:** 50dB/124dB

**Rango del control de tono: pleno rango:** 300 à 3000Hertz

### **Dimensiones :**

**Tamaño:** 10.4" x 8" x 4.4" (26.4cm X 20.5cm x 11.2cm)

**Peso :** 2.7 lbs (1.23kg)

### **Requerimientos de Alimentación:**

**Adaptador de CD :** 9VDC, 800 mA

**Baterías:** 4 baterías alcalinas AA (no incluidas)

## **SOLUCIÓN DE PROBLEMAS**

### **No hay tono de marcar/el teléfono no funciona**

1. Verifique todas las líneas y conexiones del teléfono. Asegúrese de que todas estén insertadas firmemente.
2. Conecte la unidad a un conector telefónico diferente para poder determinar si la dificultad está en el teléfono o en el conector telefónico.
3. Cambie las líneas del auricular o del teléfono.
4. Desconecte cualquier otro equipamiento que pueda estar conectado al teléfono.

### **No se pueden efectuar marcacione**

1. Asegúrese que el interruptor **TONE/PULSE** esté en la posición correcta.
2. El teléfono puede estar en un extremo de una línea larga de teléfonos (lazo). Puede ser que el teléfono no esté recibiendo suficiente potencia de la línea telefónica. Puede ser necesario esperar unos pocos segundos después de levantar el auricular para comenzar a marcar.
3. El AltoPlus no es compatible con Sistemas de Centralitas Privadas Digitales. Si un teléfono estándar funciona en el sistema, el AltoPlus debe hacerlo también.
4. Dentro del AltoPlus funciona una computadora avanzada. A veces después que se levanta el auricular habrá que esperar un poco menos de un segundo para utilizar el teléfono. Como que esto no es inme diato, si usted marca un número antes de que la computadora funcione, esta no recibirá el número complete marcado.

### **La persona que está al otro lado de la línea no puede escucharlo**

1. Demasiados teléfonos o dispositivos telefónicos en la línea pueden afectar la transmisión de su teléfono. Como regla, más de cinco (5) teléfonos o dispositivos telefónicos pueden sobrecargar la línea telefónica. Desconecte uno (1) o dos (2) dispositivos para ver si se elimina el problema. Si no, contacte con su empresa telefónica local para conocer los lineamientos de carga.
2. Puede ser que no esté hablando directamente hacia la cápsula transmi sora. Hable siempre directamente hacia la pieza de boca en su tono normal de voz.

### **No se puede oír el timbre del teléfono**

1. Demasiados teléfonos o dispositivos telefónicos en una línea pueden causar que su teléfono no dé timbre. Desconecte uno (1) o dos (2) de los dispositivos para ver si se elimina

## SOLUCIÓN DE PROBLEMAS

el problema. De no ser así, contacte con su empresa telefónica local para conocer los lineamientos de carga.

2. Si el teléfono no está recibiendo alimentación, no trabajará el volumen extra del timbre.
3. Compruebe el indicador de **MUTE/SILENT** en modo inactivo - si está activada, el timbre está en silencio (se apaga). Presione el botón **MUTE/SILENT** a apagar la luz - el timbre ahora debe ser audible.

### El control de volumen no trabaja

1. Para que funcione la amplificación adicional, tiene que estar activado **BOOST**.
2. Compruebe las conexiones de energía. El ALZA no trabajará sin energía o baterías de reserva.

### No se puede acceder a los Sistemas Automatizados

Los sistemas automatizados utilizados por bancos, correo de voz de larga distancia y otras aplicaciones requieren que el teléfono se configura en marcación por “tonos”. Verifique que el interruptor de la parte trasera del panel señalado como **TONE/PULSE** esté colocado en la posición “T”. Esto permitirá que el teléfono sea compatible con los sistemas automatizados.

### Si no le está llegando alimentación al teléfono

Si falla la alimentación, o el adaptador de CA está conectado adecuadamente al teléfono, varias funciones de este no. La amplificación, el volumen adicional del timbre y el teclado iluminado no funcionarán. El teléfono agotará rápidamente las baterías de respaldo. Esto hará que haya que cambiar con frecuencia las baterías y que la luz indicadora de Batería Baja esté iluminada constantemente.

### ¿Tengo que instalar baterías?

Las baterías son opcionales. Proporcionan respaldo en caso de una falla de la alimentación. Se recomienda su uso en áreas de fallas frecuentes de la electricidad. Este teléfono utiliza cuatro (4) baterías alcalinas AA. Mantendrán las funciones siguientes: amplificación.

***¿Todavía no trabajando? Si, después de pasar a través de esta lista de comprobación, el Alto todavía no está funcionando correctamente, llame ClarityLogic en 1-877-LOGIC24 (1-877-564-4224).***

Guide de l'utilisateur

**clarity**<sup>®</sup>  
SMART FOR SENIORS

# Alto PLUS™

**Téléphone amplifié avec DCP™, CID et haut-parleur**





## **TABLE DES MATIÈRES**

<b>Mesures de Sécurité importantes</b> .....	<b>56</b>
<b>ClarityLogic™</b> .....	<b>58</b>
<b>Contenu de Pièces de la Liste de Verification</b> .....	<b>60</b>
<b>Fixation murale</b> .....	<b>61</b>
<b>Wallmount Installation</b> .....	<b>62</b>
<b>Présentation de votre AltoPlus</b> .....	<b>63</b>
<b>Utilizer de votre AltoPlus</b> .....	<b>68</b>
Fonction boost – Amplification des sons entrants .....	68
Boost Override (Boost continu) .....	69
<b>Menu Operations</b> .....	<b>70</b>
Utilisation de l'identificateur d'appel .....	70
Programmation/modification des touches de numérotation rapide	73
Utilisation du annuaire .....	74
Numéroter à partir des touches M1-M3 ou du annuaire .....	74
Langue .....	75
<b>OSA - Amplification du volume sortant</b> .....	<b>76</b>
<b>Dépannage</b> .....	<b>77</b>
<b>L'Information Technique</b> .....	<b>79</b>

## MESURES DE SÉCURITÉ IMPORTANTES

Quand vous utilisez votre équipement téléphonique, des mesures de sécurité simple devraient toujours être suivies pour réduire le risque de feu, choc électrique et blessures aux personnes incluant :

1. Lire et comprendre toutes mode d'emploi.
2. Suivre tout les avis et les modes d'emploi indiqués sur le téléphone.
3. Ne pas utiliser ce téléphone près d'un bain, un lavabo, un évier de cui sine ou un bac, dans une cave mouillée, près d'une piscine ou aux endroits où il y a de l'eau.
4. Évitez l'utilisation d'un telephone (autre qu'un type sans fil) durant un orage. Il y a une chance de recevoir un choc électrique d'un éclair.
5. Ne pas employer le téléphone pour signaler une fuite de gaz dans les environs de la fuite.
6. Débranchez ce téléphone de la prise de courant murale avant de le nettoyer. Ne pas utiliser des produits nettoyant liquide ou aérosol sur le téléphone. Employez un étoffe humecter pour nettoyer.
7. Placez ce téléphone sur une surface bien équilibrée. Des dommages sérieux et/ou blessures peuvent résulter si le téléphone tombe.
8. Ne pas couvrir les fentes et les ouvertures sur ce téléphone. Ce téléphone ne devrait jamais être placé sur ou proche d'une chauffer ette ou d'un registre de chaleur. Ce téléphone ne devrait pas être placé dans une installation encastrée à moins qu'une ventilation correcte soit fournie.
9. Faites fonctionner ce téléphone en utilisant la tension électrique déclarée sur la base de l'unité ou dans le manuel d'utilisateur. Si vous n'êtes pas certains de la tension dans votre maison, consultez votre distributeur ou votre compagnie de pouvoir régional.
10. Ne placez rien sur le cordon d'alimentation. Installez le téléphone ou personne ne marchera ou trébu chera sur le cordon.
11. Ne surchargez pas les prises murales ou les cordes de prolongation comme ceci peut augmenter le risque du feu ou de choc électrique.
12. Ne jamais pousser des objets dans les fentes du téléphone. Ils peuvent toucher des points de tensions dan gereuses ou causer des courts-circuits qui pourraient résulter en in cendie ou choc électrique. Ne jamais renverser du liquide de n'importe quel genre sur le téléphone.

**CONSERVEZ CES INSTRUCTIONS**



## MESURES DE SÉCURITÉ IMPORTANTES

13. Pour réduire le risque de choc électrique, ne pas démonter ce téléphone. Ouvrir ou enlever des couvertures peut vous exposer à de dangereuses tensions ou à d'autres risques. Un remontage incorrect peut causer un choc électrique quand l'appareil est utilisé par la suite.
14. Débranchez cet appareil de la prise de courant murale et envoyez le service d'entretien au fabricant sous les conditions suivantes : Quand la corde ou la prise d'alimentation d'énergie est frangée ou endommagée ; Si on a renversé le liquide dans le produit ; Si du liquide a été renversé dans l'appareil ; Si le téléphone a été exposé à la pluie ou à de l'eau ; Si le téléphone a tombé ou si l'étui est endommagé ; Si le téléphone indique un changement distinct dans l'exécution ; Si le téléphone ne fonctionne pas comme d'habitude, même en suivant le mode d'emploi. Seulement régler les commandes traitées dans le Mode D'emploi. Un réglage incorrect peut exiger un travail vaste par un technicien qualifié pour rétablir le téléphone à une opération normale.
15. Ne jamais installer une connexion téléphonique pendant un orage électrique.
16. Ne jamais installer de prises téléphoniques dans des emplacements mouillés à moins que la prise est spécifiquement conçue pour des emplacements mouillés.
17. Ne jamais toucher de fils téléphoniques non isolés ou de bornes à moins que la ligne téléphonique a été débranchée à l'interface de réseau.
18. Faites attention en installant ou en modifiant les lignes téléphoniques.

## MESURES DE SÉCURITÉ POUR PILES

### Disposez les piles usagées selon les directives.

1. Ne pas jeter les piles dans un feu, elles peuvent exploser. Vérifiez les réglementations locales pour des instructions de décharge spéciales.
2. Ne pas ouvrir ou dégrader les piles. L'électrolyte relâché est corrosif et peut causer des blessures aux yeux et à la peau. Ceci peut être toxique si avalé.
3. Faites attention durant le maniement des piles afin de ne pas causer un court-circuit à la pile avec des matériaux sous courants tels que les bagues, les bracelets et les clefs. La pile ou le matériel de conduction peut surchauffer et peut causer des brûlures.

**CONSERVEZ CES INSTRUCTIONS**

## Introduction à ClarityLogic

ClarityLogic est le nom de notre service d'assistance au client simplifié et facile à utiliser. Lorsque vous parlez avec un représentant de Clarity, le téléphone envoie à Clarity des informations comme le nom du modèle et les paramètres. Le représentant est donc immédiatement informé du type de téléphone et des paramètres utilisés. Cela permet de réaliser des communications de dépannage à la fois simples et rapides, qui vous aident à trouver exactement ce dont vous avez besoin. Appelez simplement le 1-877-LOGIC24 (1-877-564-4224) pour constater à quel point Clarity peut vous simplifier la vie.

## Touche mémoire ClarityLogic®

Pour votre confort, Clarity a préprogrammé le numéro d'assistance client sur le bouton bleu ClarityLogic de votre téléphone.

**Remarque :** *ClarityLogic a été conçu pour fonctionner avec le service téléphonique de base. Si votre service téléphonique est pourvu par un fournisseur de large bande, ClarityLogic peut ne pas fonctionner. SEUL CLARITYLOGIC PEUT ÊTRE DÉSACTIVÉ. TOUTES LES AUTRES CARACTÉRISTIQUES FONCTIONNENT CONFORMÉMENT AUX DESCRIPTIONS DE CE GUIDE DE L'UTILISATEUR.*

## INTRODUCTION

**Merci d'avoir acheté votre nouveau AltoPlus de Clarity** – fournir une expérience supérieure en offrant un son clair et fort, pour vous assurer de ne jamais manquer un mot nouveau. S'il vous plaît lire ces instructions pour vous assurer de profiter de la gamme complète de fonctionnalités riches que ce produit offre.



### **Notre société**

*Clarity, une division de Plantronics (NYSE : PLT), crée des solutions de communication intelligentes pour aider les personnes âgées à vivre de manière épanouie et active. Fondé il y a plus de 40 ans, Clarity est un leader mondial du secteur des téléphones amplifiés, des systèmes de notification et des dispositifs d'écoute assistée.*

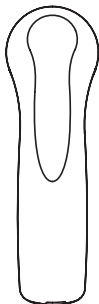
*Clarity produit sept lignes de produits et services : Clarity,<sup>®</sup> Clarity Professional,<sup>®</sup> ClarityLife,<sup>®</sup> Clarity AlertMaster,<sup>®</sup> ClarityLogic,<sup>®</sup> Ameriphone,<sup>®</sup> et les combinés / appareils d'essai Walker<sup>™</sup>.*

*Les produits de communication innovante de la société sont tous conçus pour aider les personnes présentant des problèmes d'audition, une perte de vision, une mobilité réduite, des problèmes de dextérité ou d'autres problèmes de santé.*

## CONTENU DE PIÈCES DE LA LISTE DE VÉRIFICATION

Votre forfait comprend tous les éléments, comme indiqué ici. S'il ya quelque chose manque, s'il vous plaît contacter notre service client immédiatement.

**NOTE : VEUILLEZ MAINTENIR UN COPY DE LA PREUVE DE L'ACHAT POUR VOS DISQUES.**



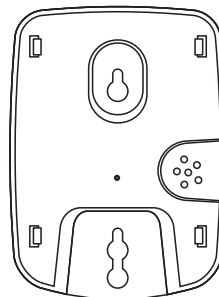
Combiné



Unité de base



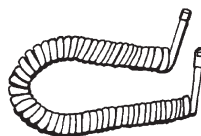
Cordon de Ligne  
Téléphonique (une  
longue corde et  
une corde courte)



Adaptateur CD



Manuel d'Utilisation

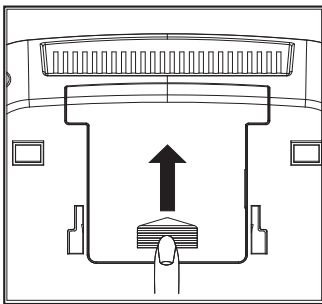


Cordons enroulés  
du combine

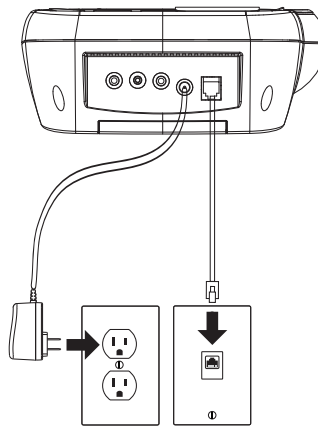
# INSTALLATION DE VOTRE ALTOPLUS

## Installation de base

- Étape 1 :** Installez les piles de secours (en option) en retirant le couvercle de la batterie. N'utilisez que des piles alcalines AA. **NE PAS** installer de piles rechargeables. **(Figure 1)**
- Étape 2 :** Tirez sur les extrémités du cordon téléphonique pour démêler le cordon ; branchez l'extrémité libre du cordon téléphonique dans la prise téléphonique murale. **(Figure 2)**
- Étape 3 :** Placez le combiné sur le support.
- Étape 4 :** Tirez sur les extrémités du cordon d'alimentation pour démêler le cordon ; branchez l'adaptateur sur une prise électrique de votre mur.
- IMPORTANT :** N'utilisez qu'avec une source d'alimentation de Class (Classe) 2, fournie avec votre produit.
- Étape 5 :** Une fois l'installation terminée, décrochez le combiné pour tester l'appareil. Si vous entendez une tonalité de numérotation, votre téléphone est prêt à l'emploi. Si ce n'est pas le cas, revérifiez toutes les connexions.



**Figure 1**



**Figure 2**

En cas de panne de courant, l'AltoPlus conservera sa pleine amplification pendant un maximum de 48 heures avec quatre piles AA alcalines de secours (non incluses).

En cas de panne et d'absence de piles, le téléphone fonctionne comme un téléphone ordinaire. Dans ce cas, les voyants lumineux, la sonnerie forte, le clavier éclairé et l'amplification seront désactivés ; vous serez toujours en mesure de passer et de recevoir des appels téléphoniques, mais l'amplification supplémentaire du volume ne pourra être utilisée.

Nous vous conseillons d'installer des piles si vous habitez dans une zone sujette à des pannes d'électricité fréquentes.

# INSTALLATION DE VOTRE ALTOPLUS

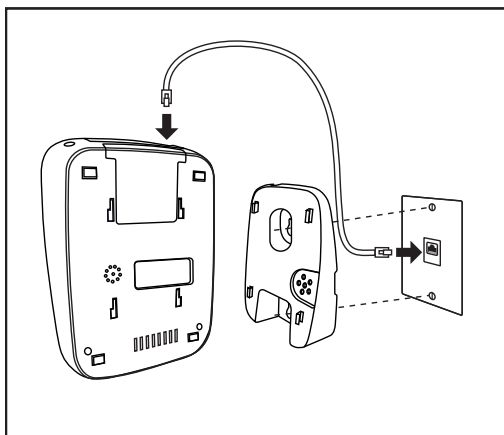
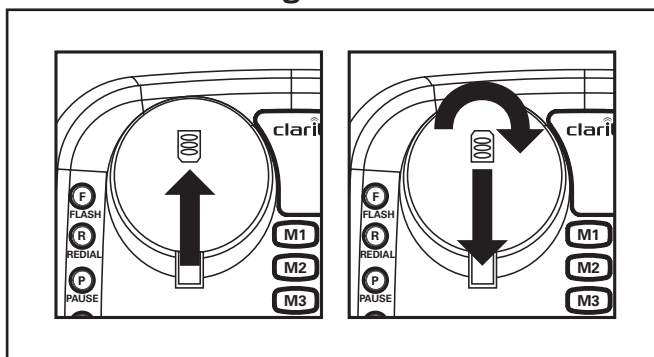
## Fixation murale

**Étape 1 :** Retirez le crochet du combiné de la base et inversez sa position, de sorte que le crochet se trouve pointe vers le haut et qu'il puisse soutenir le combiné lorsque vous raccrochez. **(Figure 3)**

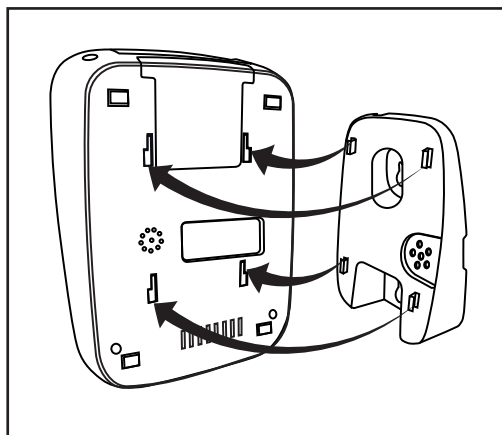
**Étape 2 :** Tirez sur les extrémités du cordon téléphonique pour démêler le cordon; insérez le cordon dans la rainure située sur la partie arrière du téléphone. Insérez les pattes de support de fixation dans les fentes à l'arrière du téléphone. Appuyez sur le support de fixation et enfoncez-le fermement jusqu'à ce qu'il s'enclenche. **(Figure 4)**

**Étape 3 :** Branchez le cordon téléphonique plat dans la prise murale, puis aligner les trous du support de fixation sur les montants de la plaque murale et faites glisser la base du téléphone vers le bas pour la fixer sur le mur. **(Figure 5)**

**Figure 3**

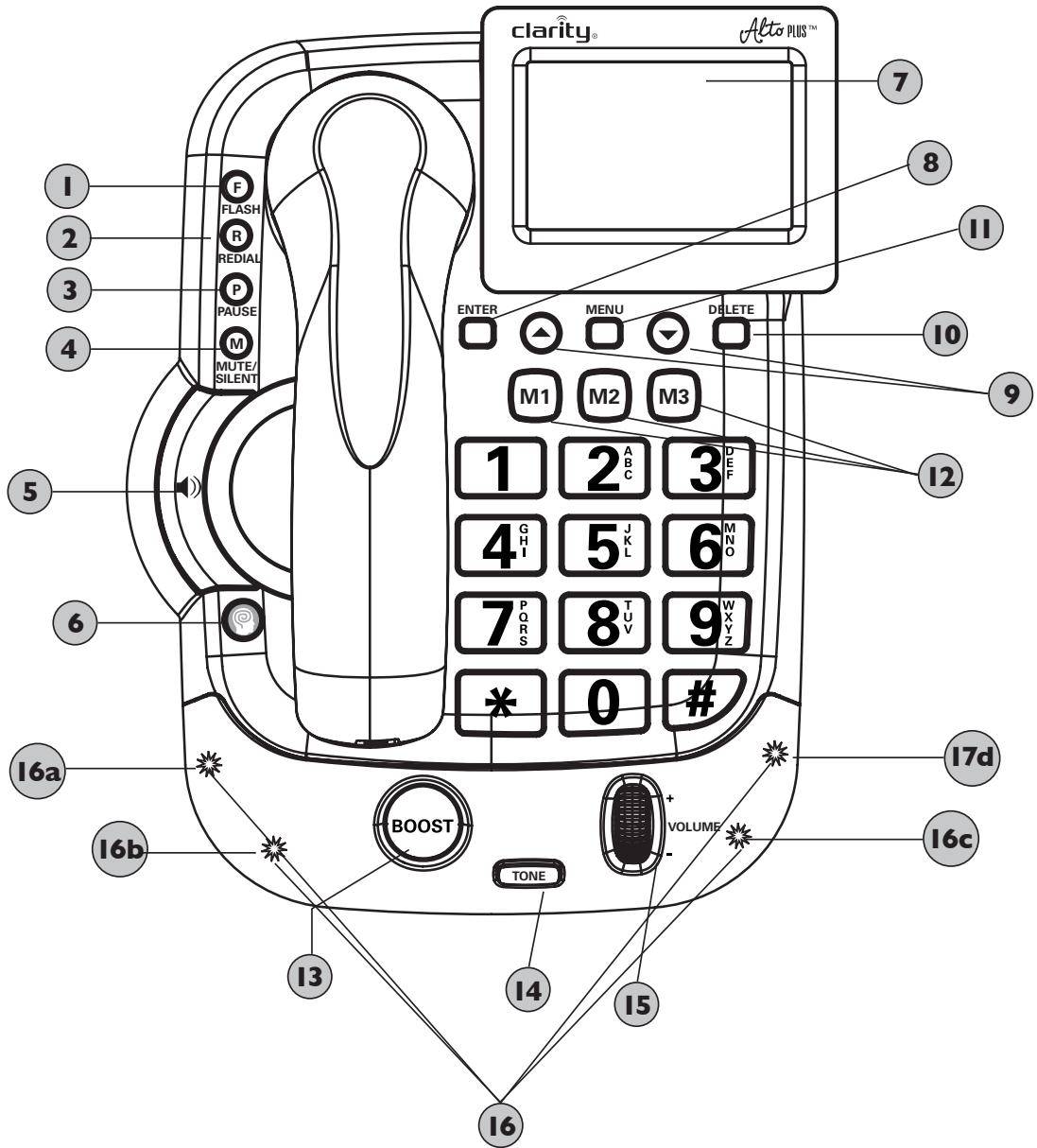


**Figure 4**



**Figure 5**

# PRÉSENTATION DE VOTRE ALTOPLUS



## PRÉSENTATION DE VOTRE ALTOPLUS

1. Touche **FLASH** : utilisez ce bouton pour activer la fonction appel en attente / appel en attente avec identificateur d'appel (fonction fournie par votre compagnie de téléphone locale).
2. Touche **REDIAL (Rapel)** : appuyez sur cette touche pour recomposer le dernier numéro composé (jusqu'à 32 chiffres).
3. Touche **PAUSE** : en mode programmation, appuyez sur cette touche pour insérer une pause de deux secondes.
4. Touche **MUTE/SILENT (SOURDINE/SILENCE)** :
  - a. **Pendant un appel** : appuyez sur **MUTE/SILENT** pour mettre votre côté de la conversation en sourdine pour plus d'intimité ; le bouton rouge clignote pour indiquer que vous êtes en mode MUTE (SOURDINE) ; appuyez à nouveau sur **MUTE/SILENT** pour désactiver la fonction et reprendre votre appel.
  - b. **En mode veille** : appuyez sur **MUTE/SILENT** pour désactiver la sonnerie ; le bouton à rétroéclairage rouge s'allume lorsque la sonnerie est désactivée..
  - c. **Pendant un appel** : appuyez sur **MUTE/SILENT** pour éteindre la sonnerie pour cet appel uniquement ; le téléphone sonnera lors du prochain appel.
5. Touche **(haut-parleur)** : appuyez sur cette touche pour activer la fonction haut-parleur ; appuyez à nouveau pour désactiver la fonction. Lorsque le haut-parleur est activé, le bouton à rétroéclairage rouge est allumé.
6. Touche **ClarityLogic** : appuyez sur le bouton bleu pour prendre directement contact avec un représentant du service à la clientèle.
7. **Écran MENU** : affiche les informations du CID, les enregistrements de numérotation rapide, votre répertoire, les informations de niveaux de volume et de tonalité, etc.
8. Touche **ENTER** : appuyez dessus pour confirmer les choix affichés à l'écran.
9. Touches Flèches **(HAUT/BAS)** : appuyez dessus pour naviguer à travers les menus, les CID et les enregistrements de numérotation rapide.
10. Touche **DEL (SUPPRIMER)** : appuyez dessus pour supprimer les CID/ enregistrements et éditer les noms/numéros.
11. Touche **MENU** : appuyez dessus pour accéder au menu de contrôle CID / numérotation rapide et configuration de la langue.
12. Touches **NUMÉROTATION RAPIDE (MI – M10)** : pour les numéros sauvegardés (voir **NUMÉROTATION RAPIDE**).

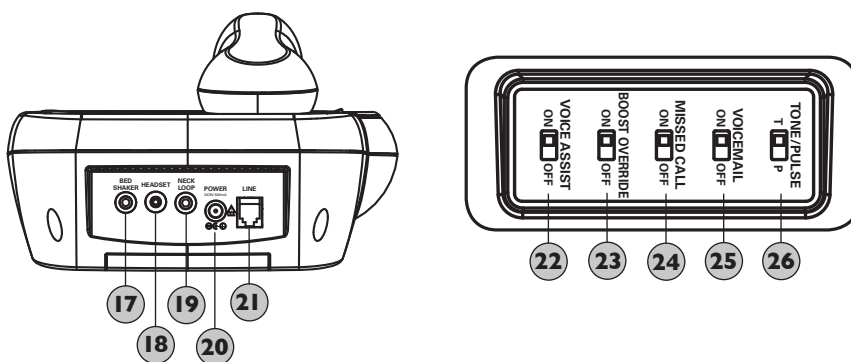


## PRÉSENTATION DE VOTRE ALTOPLUS

- 13. Touche **BOOST**** : appuyez sur **BOOST** pour activer l'amplification supplémentaire du volume. En mode Boost On (allumé), le volume du téléphone s'étend sur une plage allant jusqu'à 50dB. Lorsque le mode Boost est activé, la touche rouge à rétroéclairage s'allume. Appuyez à nouveau sur la touche **BOOST** pour éteindre l'amplification supplémentaire du volume.
- Appuyez sur la touche **BOOST** et maintenez-la enfoncée (5 secondes) pour activer la fonction OSA (Outgoing Speech Amplification - Amplification du volume sortant).  
**Veillez lire la section OSA avant d'activer cette fonction.**
- 14. Touche **TONE**** :
- Pendant un appel** : appuyez sur la touche **TONE** pour naviguer entre les réglages de tonalité préétablis de votre unité, et sélectionnez la tonalité la plus adaptée à vos besoins. Votre unité dispose de cinq tonalités prédéfinies, allant de fréquences accentuées basses à des fréquences accentuées hautes ; les réglages sont spécifiquement conçus pour garantir la meilleure expérience audio pendant vos appels téléphoniques. L'une des tonalités est conseillée pour les personnes utilisant des appareils de correction auditive, dans la mesure où elle offre une performance élevée tout en tenant compte de la présence du dispositif. Le réglage de la tonalité est affiché sur l'écran au moment où vous naviguez entre les différents réglages.
    - Appuyez sur la touche **TONE** et maintenez-la enfoncée pour passer en mode Personnaliser, ce qui vous permettra de régler avec plus de précision le son des appels entrants. Voir section **Fonction Boost – Amplification des sons entrants**.
  - En mode veille** : appuyez sur la touche **TONE** pour naviguer entre les différents réglages de sonnerie disponibles. Vous pouvez choisir entre six sonneries différentes, couvrant une variété de tonalités, pour garantir que vous entendrez toujours la sonnerie des appels entrants.
- 15. Molette du **VOLUME****
- Pendant un appel** : faites tourner la molette du volume pour augmenter ou baisser le volume de l'appel entrant. En montant le volume, vous remarquerez que la touche **BOOST** s'allume lorsque vous passez en mode Boost On.
  - En mode veille** : faites tourner la molette du volume pour augmenter ou baisser le volume de la sonnerie. La sonnerie se fera entendre de cette façon tant que le téléphone est en mode veille.

## PRÉSENTATION DE VOTRE ALTOPLUS

- 16. Voyants lumineux de la sonnerie :** la sonnerie dispose de quatre voyants lumineux qui s'allument (et clignotent) lorsque le téléphone sonne. De plus, ces voyants lumineux rendent compte de différentes fonctions (si les fonctions sont activées – décrites ci-dessous de gauche à droite sous le voyant de la sonnerie) :
- Voyant d'appel en absence :** s'allume lorsque la fonction APPEL EN ABSENCE est activée (ON) et que vous avez reçu au moins un appel auquel vous n'avez pas répondu..
  - Voyant de la messagerie vocale :** s'allume lorsque l'interrupteur MESSAGERIE VOCALE est activé (ON) et que vous avez un nouveau message vocal (service vendu séparément, acquis auprès de votre fournisseur de services téléphoniques).
  - Voyant OSA :** s'allume lorsque la fonction OSA (Amplification du volume sortant) est activée.
  - Voyant de batterie faible :** s'allume lorsque vos piles de secours doivent être remplacées.



- 17. Port BEDSHAKER (VIBREUR DE LIT) :** insérer le vibreur de lit en option (vendu séparément, modèle C2210). Il vibre pour vous avertir lors d'appels entrants. Pour plus d'information concernant l'achat de ce dispositif, veuillez prendre contact avec Clarity au 1 800 426 3738.
- 18. Port HEADSET (CASQUE) :** insérez un casque standard (prise de 2,5 mm) à utiliser à la place du combiné. Pour plus d'information concernant l'achat de ce dispositif, veuillez prendre contact avec Clarity au 1 800 426 3738.

## PRÉSENTATION DE VOTRE ALTOPLUS

- 19. Port **NECKLOOP (COLLIER INDUCTIF)**** : branchez un collier inductif standard (mono, prise de 3,5 mm) pour utiliser votre appareil de correction auditive à collier. Nous recommandons le collier inductif CE30 de Clarity. Pour plus d'information concernant l'achat de ce dispositif, veuillez prendre contact avec Clarity au 1 800 426 3738.
- 20. Port **POWER (ALIMENTATION)**** : (pour l'adaptateur d'alimentation)
- 21. Port **LINE (LIGNE)**** : (pour le cordon du téléphone)
- 22. Interrupteur **VOICE ASSIST (ASSISTANT VOCAL)**** : réglez sur ON (allumé) si vous souhaitez entendre un signal sonore lorsque vous appuyez sur les pendant la composition du numéro – aussi bien à travers le combiné qu'avec le haut-parleur.
- 23. Interrupteur **BOOST OVERRIDE (BOOST CONTINU)**** : réglez sur ON (allumé) si vous souhaitez que la fonction Boost soit activée au début de tous les appels.
- 24. Interrupteur **MISSED CALL (APPEL EN ABSENCE)**** : réglez sur ON (allumé) si vous souhaitez activer le voyant d'appels en absence.
- 25. Interrupteur **VOICEMAIL (MESSAGERIE VOCALE)**** : réglez sur ON (allumé) si vous souhaitez activer le voyant de Messagerie vocale (service fourni par votre fournisseur de téléphonie local). Lorsque vous avez un message, le voyant de la messagerie vocale situé sous le voyant de la sonnerie s'allume.
- 26. Interrupteur **TONE/PULSE**** : réglez cet interrupteur sur la méthode de composition souhaitée.

## UTILISER DE VOTRE ALTOPLUS

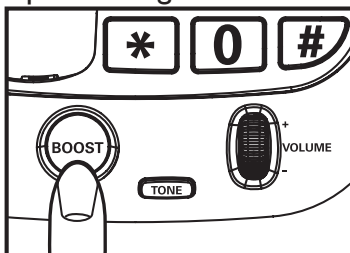
Votre appareil a été conçu en conformité avec la nouvelle norme TIA-4953, qui détermine les performances auditives spécifiques pour compenser la perte légère ou sévère de l'audition. Votre AltoPlus offre une performance audio supérieure et une sonnerie à volume élevé afin de garantir que vous ne ratiez plus aucun appel ou aucun mot prononcé pendant la conversation.

### Fonction boost – Amplification des sons entrants

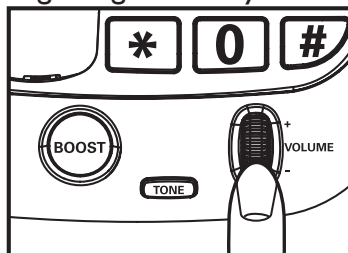
1. Pendant les appels, appuyez sur la touche **BOOST** pour activer l'amplificateur. Le téléphone AltoPlus dispose d'une touche **BOOST** et d'une molette de contrôle du volume permettant de contrôler le volume du récepteur. (**Figure 6**) Une fois que vous avez appuyé sur la touche **BOOST** (ou que la molette de contrôle du volume est au-dessus du niveau 9), un niveau d'amplification supplémentaire est ajouté à la plage de contrôle de volume. Pendant les appels, la touche **BOOST** permet d'allumer ou d'éteindre la fonction d'amplification de Clarity Power selon vos besoins. La touche **BOOST** se remet automatiquement en position initiale chaque fois que vous raccrochez le combiné (à moins d'activer la fonction Boost continu – voir la section Boost continu). La touche **BOOST** rouge s'allume lorsque la fonction BOOST est activée.

**ATTENTION : VOLUME ÉLEVÉ. Pour protéger votre audition, baissez le contrôle du volume avant d'activer la fonction Boost.**

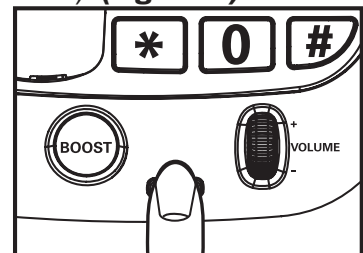
2. Utilisez la molette de **VOLUME** pour régler le son au niveau souhaité (jusqu'à 50dB d'amplification). La molette de contrôle du volume permet de régler le niveau de volume du combiné en mode Boost ou en mode normal. Une fois que la touche **BOOST** est enfoncée, l'AltoPlus fournit un volume allant jusqu'à 50dB. (**Figure 7**)
3. Appuyez sur la touche **tone** pour personnaliser votre expérience sonore. Nous avons tous des préférences auditives différentes, c'est pourquoi nous vous conseillons d'explorer chaque réglage afin de trouver l'option la plus adaptée à votre confort. Ces cinq réglages préétablis, ainsi que le réglage personnalisé et l'amplificateur de volume, font partie intégrante de la technologie Digital Clarity Power (DCP™). (**Figure 8**)



68 **Figure 6**



**Figure 7**



**Figure 8**

## UTILISER DE VOTRE ALTOPLUS

### Les réglages disponibles sont :

**t1** - Accent sur les fréquences basses : préférable pour entendre les sons graves et faibles

**t2** - Réponse en fréquence uniforme : préférable si vous avez besoin d'amplifier toute la gamme sonore de la voix

**t3-t4** - Accent sur les fréquences hautes : deux réglages, pour s'adapter de la meilleure manière au niveau de perte auditive de la plupart des gens

**ha (Hearing Aid - appareil de correction auditive)** - cette option est recommandée pour les personnes utilisant un appareil de correction auditive - garantit une meilleure performance audio tout en tenant compte de la présence de l'appareil de correction à proximité du combiné

**Personnalisé (tc)** - En plus des paramètres prédéfinis, l'AltoPlus dispose d'un mode personnalisé qui peut être consulté en appuyant sur le bouton **TONE** jusqu'à ce que le téléphone émet et le voyant du pavé numérique une fois, et l'écran affiche "**T: 00**" (un numéro à 2 chiffres) ; faites tourner la molette de volume vers le haut et vers le bas (gamme : réglages de 0 à 60) jusqu'à atteindre le meilleur réglage pour votre audition. Pour sauvegarder ce réglage, relâchez la molette de volume et attendez que l'écran affiche à nouveau le niveau du volume, OU appuyez rapidement sur **TONE** - vous verrez le symbole « **Custom** » s'afficher sur votre écran. Vous disposez désormais d'un sixième réglage de tonalité - personnalisé selon vos besoins. Vous pouvez parcourir les réglages préétablis et le nouveau réglage personnalisé en appuyant sur la touche TONE pendant vos appels

### REMARQUES :

1. Le mode Tonalité personnalisée est disponible uniquement s'il a été activé (en appuyant et en maintenant enfoncée la touche TONE pendant un appel).

2. La touche Boost n'est pas active en mode haut-parleur.

### Boost Override (Boost continu)

L'interrupteur de la fonction Boost continu se trouve sur la partie inférieure de l'AltoPlus. Lorsque l'interrupteur est réglé sur ON (allumé), la fonction Boost est activée automatiquement chaque fois que vous décrochez le téléphone. En utilisation normale, lorsque l'interrupteur de la fonction Boost continu (**BOOST OVERRIDE**) est réglé sur OFF (éteint), la fonction s'éteint dès lors que vous raccrochez le combiné. Nous conseillons de régler l'interrupteur sur ON (allumé) si tous les utilisateurs du téléphone ont besoin de l'amplification. Le fait de régler l'interrupteur sur OFF (éteint) peut s'avérer utile lorsque des personnes à capacités auditives différentes utilisent le même téléphone.

**ATTENTION : VOLUME ÉLEVÉ. Activez la fonction BOOST CONTINU uniquement lorsque tous les utilisateurs du téléphone ont besoin que la fonction Boost soit activée pendant tous les appels.**

## LES OPÉRATIONS DU MENU

L'AltoPlus dispose de quatre options de menu principales : CID, numérotation rapide, annuaire et langue.

Utilisez la flèche vers le bas pour passer d'une option du menu principal à l'option suivante.

**REMARQUE : si vous souhaitez revenir à l'écran de veille à tout moment, appuyez sur la touche MENU.**

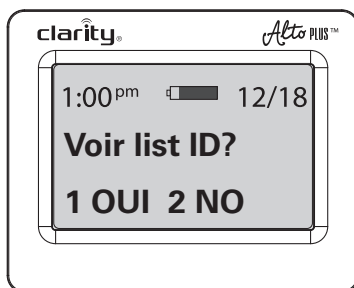
### Utilisation de l'identificateur d'appel (Caller ID - CID)

L'identificateur d'appel est un service fourni par votre compagnie de téléphone locale. Ce téléphone affiche automatiquement le nom de l'appelant et le numéro ainsi que la date et l'heure de l'appel. Il peut enregistrer jusqu'à 40 appels.

En cas d'appel entrant, l'information de l'appelant s'affiche à partir de la deuxième sonnerie. La première ligne de l'affichage contient les coordonnées de l'appelant (nom).

Si aucune information n'est disponible, la ligne sera vide. La deuxième ligne affiche le numéro de téléphone entrant. Si le nombre contient plus de 11 chiffres, l'écran LCD alternera entre les 11 premiers chiffres et les chiffres restants du numéro affiché.

**REMARQUE : La date et l'heure sont automatiquement établies après réception de votre premier appel.**



**Figure 9**

### Voir le CID

Pour afficher les informations CID appuyez sur la touche **MENU**. La question « **Voir list CID ?** » s'affichera, accompagnée des options « **1 Oui 2 Non** ». (**Figure 9**) Sélectionnez « **Oui** » en appuyant sur la touche **Un (I)** et l'appel entrant le plus récent sera affiché. Appuyez sur la flèche vers le bas pour voir l'entrée CID suivante.

En cas d'absence de nouveaux appels, l'écran affiche « **Aucun appel** ». Vous pouvez également accéder aux enregistrements CID en appuyant sur les touches **HAUT** ou **BAS** de l'écran de veille.

## LES OPÉRATIONS DU MENU

**REMARQUE :** L'affichage sera interrompu et reviendra vers l'écran de veille si vous ne faites aucune sélection dans les 30 secondes.

**REMARQUE :** Vous pouvez consulter la liste CID en appuyant sur la touche **HAUT** ou **BAS** en mode veille.

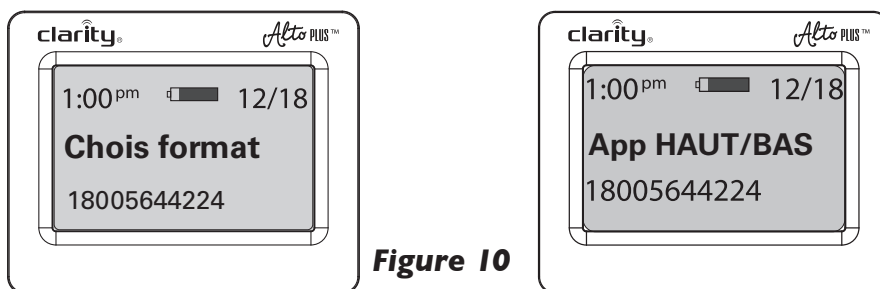


Figure 10

### Formatage et appel depuis un CID

Pour formater et/ou réaliser un appel à partir d'une entrée CID, sélectionnez l'entrée désirée et appuyez sur la touche **ENTER**. Le message « **Chois format** » s'affiche à l'écran, suivi de « **App HAUT/BAS** ». À l'aide des touches fléchées, sélectionnez le format souhaité pour le numéro CID, puis appuyez sur la touche **ENTER**. (Figure 10)

**REMARQUE :** Un numéro à sept chiffres n'affichera pas le code régional. Un numéro à 10 chiffres affiche l'indicatif régional sans le chiffre un (1). Un numéro à 11 chiffres affiche le numéro, l'indicatif régional et le chiffre un (1).

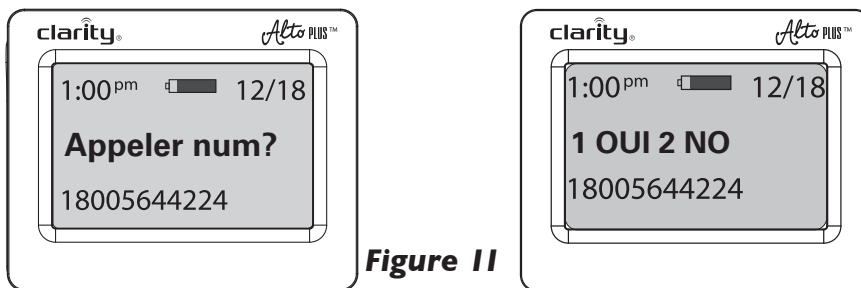
Les écrans suivants sont **APPELER NUMÉRO ?** (« Appeler num? ») et « **1 OUI 2 NO** » avec votre numéro au format choisi. (Figure 11)

Si vous sélectionnez « **OUI** », le numéro de l'entrée CID sera alors composé. Si vous sélectionnez « **NON** », le CID formatera et affichera les informations CID.

**Pour attribuer le numéro d'un CID à l'une des touches de mémoire, procédez comme suit :**

1. Choisissez le format de numérotation correct en suivant les étapes ci-dessus ;
2. Appuyez sur **ENTER**;

## LES OPÉRATIONS DU MENU



3. Choisissez « **2** » (**Non**) lorsque vous êtes invité à composer le numéro. L'enregistrement avec le format de numérotation correct sera affichée sur l'écran ;
4. Appuyez sur la touche mémoire que vous souhaitez utiliser pour ce numéro et maintenez-la enfoncée.
  - a. Appuyez sur **DEL** pour effacer le nom affiché, puis utilisez le clavier pour saisir votre nom personnalisé. (Pour introduire un espace, appuyez sur « **I** »).
  - b. Appuyez sur **ENTER** ou **BAS** pour modifier le numéro de téléphone (si nécessaire).
  - c. Appuyez à nouveau sur **ENTER** pour sauvegarder le numéro ; le téléphone émet un signal sonore, l'écran affiche « **No enreg** », et le numéro est sauvegardé.

Les numéros de téléphone peuvent être sauvegardés dans la mémoire de votre téléphone pour activer la numérotation rapide. Le annuaire du téléphone permet d'accueillir trois numéros de téléphone différents (**MI-M3**).

Il est important de **ne pas programmer le 911** dans votre téléphone. Cela vous permettra d'éviter d'appeler par inadvertance un centre d'appels d'urgence. Ne sauvegardez que les numéros d'urgence tels que celui de votre médecin, de l'hôpital, des sapeurs pompiers locaux ou de la station de police la plus proche.

**REMARQUE : Sauvegarder un enregistrement CID sur une touche MemDial déjà utilisée écrasera le nom/numéro précédemment enregistré sans demander de confirmation.**



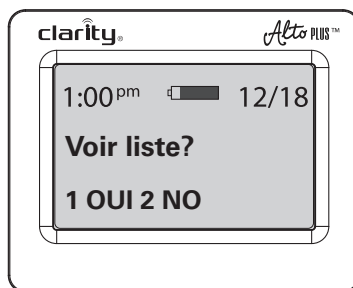
## LES OPÉRATIONS DU MENU

### Programmation/modification des touches de numérotation rapide

Cette fonction permet à l'utilisateur de programmer ou de modifier les numéros des quatre emplacements de numérotation rapide (M1-M3) ou d'apporter des modifications aux numéros programmés.

#### Pour programmer les touches de numérotation rapide :

1. Appuyez sur la touche **MENU**, puis appuyez sur la flèche vers le bas jusqu'à atteindre l'écran « **Voir liste** ». (**Figure 12**) Vous aurez la possibilité de choisir entre « **OUI** » ou « **NON** ». Sélectionnez « **OUI** » en appuyant sur le bouton un (1).



**Figure 12**

2. Le message « **Appel Sp 1** » ou le nom enregistré et le numéro s'affichent. (Pour accéder à l'emplacement MemDial suivant, appuyez sur la flèche vers le **BAS**.)
3. Utilisez la touche **DEL** et supprimez la touche « **Appel Sp 1** » ou le nom enregistré. Ensuite, tapez le nom du numéro que vous souhaitez enregistrer. Puis, appuyez sur la touche **ENTER**.
4. Utilisez la touche **DEL** pour supprimer le numéro à modifier. Si aucun numéro n'a été enregistré, saisissez le numéro que vous souhaitez enregistrer. Appuyez à nouveau sur **ENTER**. Le numéro est désormais enregistré dans la touche **M1**. Le menu passera à l'emplacement de numérotation rapide suivante - « **Appel Sp 2** ».
5. Répétez ces étapes pour programmer la touche **M2**.

**Pour modifier les numéros précédemment programmés**, répétez la séquence de programmation.

**REMARQUE : La programmation d'une touche écrase le numéro précédemment sauvegardé dans cet emplacement. Pour introduire un espace, appuyez sur « 1 ».**

## LES OPÉRATIONS DU MENU

### Utilisation du annuaire

En plus des trois touches de numérotation rapide (**MI-M3**), vous pouvez enregistrer manuellement les numéros que vous composez le plus souvent dans le annuaire de votre AltoPlus. Suivez les étapes ci-dessous pour enregistrer jusqu'à dix numéros supplémentaires pour un accès facile :

### Pour programmer les enregistrements du annuaire

1. Appuyez sur **MENU** ; appuyez sur **BAS** (ou « 2 ») deux fois, pour afficher « **Voir Annuaire?** ».
2. Appuyez sur « **I** » ou **ENTER** pour sélectionner cette option ; l'affichage indique « **Annuaire I** », avec un curseur clignotant pour éditer le champ de nom
3. En utilisant le clavier et la touche **DEL**, saisissez le nom de l'enregistrement que vous souhaitez ajouter à votre annuaire ; appuyez sur **ENTER** pour sauvegarder le nom ; le curseur clignotant se déplace vers le champ du numéro
4. À l'aide du clavier, saisissez le numéro de téléphone pour cet enregistrement, dans le format nécessaire pour qu'il soit composé correctement (7, 10 ou 11 chiffres, au besoin) ; appuyez sur **ENTER** ; l'enregistrement (nom et numéro) est sauvegardé comme affiché, et l'écran affiche désormais l'élément de annuaire suivant
5. Répétez les étapes ci-dessus pour sauvegarder des numéros supplémentaires, ou appuyez sur **MENU** pour revenir à l'écran de veille.

### Numéroter à partir des touches **MI-M3** ou du annuaire

#### Touches de numérotation rapide (**MI-M3**)

1. En mode veille, appuyez sur **MI-M3** ; AltoPlus compose le numéro stocké dans la touche de numérotation rapide en mode haut-parleur ; décrochez le combiné si vous souhaitez transférer l'appel en mode combiné.  
- OU -
2. Décrochez le combiné, puis appuyez sur l'une des trois touches de numérotation rapide ; AltoPlus compose le numéro en mode combiné.

## LES OPÉRATIONS DU MENU

### Annuaire

1. En mode veille, suivez les étapes pour afficher l'entrée du annuaire sauvegardée que vous souhaitez composer.
2. Une fois le numéro que vous souhaitez appeler affiché, décrochez le combiné pour composer le numéro en mode combiné, ou appuyez sur la touche haut-parleur pour lancer l'appel en mode haut-parleur.

### Langue

L'utilisateur aura la possibilité de sélectionner l'anglais, le français ou l'espagnol. Appuyez sur la touche **MENU** et appuyez sur la flèche vers le bas jusqu'à atteindre l'onglet « **Langue** ». Appuyez sur **1** (un) pour l'anglais, sur **2** (deux) pour l'espagnol, ou sur **3** (trois) pour le français. (**Figure 13**)

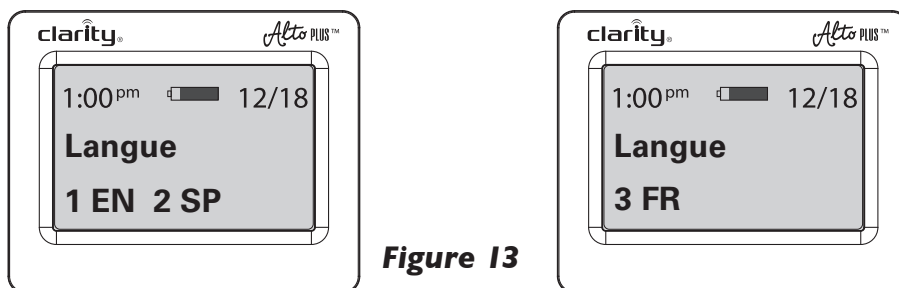


Figure 13

### En mode conversation

Lors d'un appel, l'écran affiche le minuteur d'appel et le niveau de volume. Si c'est vous qui appelez, l'écran affiche également le numéro composé.

### En mode veille

En mode veille, le message « **Clarity** » sera affiché sur l'écran si les écrans en attente suivants ne sont pas disponibles. Le nombre de CID d'appels s'affiche à l'écran. (Exemple : « **1 appel** ».)

Le message « **Pas de ligne** » apparaît si aucun câble téléphonique n'est branché. En cas d'absence de courant continu, le message « **Bassee UnSeul** » s'affiche en alternance avec le message « **Sans DC Puis** ».

Lorsqu'un autre téléphone est en cours d'utilisation, le message « **Ligne occupé** » s'affiche. En cas de nouveau message vocal, le message « **Nouveau Mess** » apparaît.

## LES OPÉRATIONS DU MENU

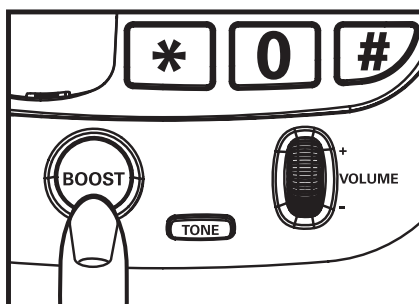
**REMARQUE :** En cas de nouveau CID, le message “New VMail screen” (« Écran nouveau message vocal ») et les numéros des nouvelles entrées CID (par exemple: « 2 Appels ») s’affichent en alternance.

### **Outgoing Speech Amplification (OSA - Amplification du volume sortant)**

Cette fonction amplifie le son de votre voix de façon à ce que la personne à l’autre bout du fil vous entende mieux. Pour activer cette fonction, appuyez sur la touche **BOOST** et maintenez-la enfoncée pendant cinq secondes. Le téléphone émet un bip ; la fonction peut être activée/désactivée lors d’un appel téléphonique ou en mode veille. Le voyant de la fonction OSA s’allume lorsqu’elle est activée.

Pour revenir au réglage par défaut du niveau de volume de votre voix, appuyez à nouveau sur la touche **BOOST** et maintenez-la enfoncée pendant cinq secondes. Vous entendrez un bip confirmant que la fonction est désactivée.

**REMARQUE :** Pour que les interlocuteurs puissent profiter de la meilleure expérience de qualité audio pendant un appel, nous vous recommandons de n’activer cette fonction que si votre voix est trop faible



**Figure 14**

## DÉPANNAGE

### **Aucune tonalité/le Téléphone ne Fonctionne Pas**

1. Vérifier tous les cordons et connexions. S'assurer qu'ils soient tous bien branchés correctement.
2. Brancher l'unité dans une prise de courant différente pour déterminer si la difficulté provient du téléphone ou des cordons de ligne téléphonique.
3. Neutraliser le combiné ou cordons de ligne téléphonique.
4. Déconnecter tout autre dispositif qui est rattaché au téléphone.

### **Incapacité de Placer un Appel Externe**

1. S'assurer que le commutateur **TONE/PULSE** soit correctement activé.
2. Il se peut que le téléphone soit sur un circuit en boucle. Il se peut que le téléphone ne reçoive pas suffisamment de puissance depuis la ligne téléphonique. Il peut être nécessaire d'attendre quelques seconds après avoir décroché le combiné avant de composer le numéro.
3. Le AltoPlus est incompatible avec le système numérique PBX. Votre AltoPlus devrait bien fonctionner, si une ligne téléphonique standard fonctionne correctement.
4. Il existe un ordinateur avant-gardiste à l'intérieur de AltoPlus. Parfois, après avoir décroché le combiné, il peut se passer une seconde pour permettre au téléphone de s'engager. Si vous composez un numéro avant que l'ordinateur ne soit engagé, il se peut que le numéro ne soit pas entièrement enregistré.

### **La Personne à l'Autre Bout du Fil ne Peut Vous Entendre**

1. Un trop grand nombre de téléphones ou d'appareils sur la ligne peut avoir des conséquences sur la transmission de votre téléphone. En tant que directive générale, sachez que plus de cinq (5) téléphones ou appareils peuvent surcharger une ligne téléphonique. Débrancher un (1) ou deux (2) appareils pour vérifier si ceci rectifie la situation. Sinon, vous devriez entrer en contact avec votre compagnie de téléphone pour obtenir des directives de surcharge supplémentaires.
2. Il se peut que vous ne parliez pas directement dans le l'émetteur. Assurez-vous de toujours parler directement dans l'embouchure et, d'un ton de voix normal.

### **Incapable d'Entendre le Sonnerie du Téléphone**

1. Une trop grande quantité de téléphones ou appareils pour une ligne peut empêcher votre téléphone de sonner. Débrancher un (1) ou deux (2) appareils pour vérifier si le problème

## DÉPANNAGE

est éliminé. Sinon, vous devriez entrer en contact avec votre compagnie de téléphone pour obtenir des directives de surcharge supplémentaires.

2. Si la puissance ne se rend pas à votre appareil téléphonique, la sonnerie forte ne fonctionnera pas.
3. Vérifiez le voyant **MUTE/SILENT** en mode veille - si elle est activée, la sonnerie est silencieuse (elle est désactivée). Appuyez sur le bouton **MUTE/SILENT** à éteindre la lumière - la sonnerie devrait maintenant être audible.

### Le Contrôle du Volume Ne Fonctionne Pas

1. **BOOST** doit être activée pour mettre l'amplification additionnelle en marche.
2. Vérifiez les raccordements de puissance. La BOOST ne fonctionnera pas sans batteries de puissance ou de protection.

### Impossibilité d'Accéder aux Systèmes Automatisés

Les systèmes Automatisés utilisés par les banques, messageries vocales longue distance ou toutes autres applications, nécessitent un téléphone en mode de composition de tonalité. Vérifier le commutateur à l'arrière du téléphone identifié par **TONE/PULSE** et mettre en fonction à "T". Ceci activera la compatibilité du téléphone avec les systèmes automatisés.

**Une coupure de courant ou**, un Adaptateur CD incorrectement branché au téléphone peut se traduire par un dysfonctionnement de plusieurs fonctions. L'amplification, la sonnerie puissante ainsi que le clavier éclairé ne fonctionneront pas correctement. Le téléphone épuisera les piles d'urgence rapidement. Ceci aura comme effet d'avoir à changer les piles constamment ainsi que d'un voyant d'indicateur de décharge des piles constamment illuminé.

### Ai-je besoin d'installer des Nouvelles Piles?

Les piles sont optionnelles. Elles fournissent un système de secours en cas de coupure de courant. Elles sont recommandées dans les régions où les coupures de courant sont fréquentes. Votre téléphone utilise quatre (4) piles alcalines AA. Elles fourniront les fonctions suivantes : amplification.

**Ne marche toujours pas? Si, après être passé par cette liste, le AltoPlus ne fonctionne toujours pas correctement, appelez ClarityLogic™ à 1-877-LOGIC24 (1-877-564-4224).**

## **L'INFORMATION TECHNIQUE**

**Niveau décibel amplifié :** 50dB/124dB

**Gamme de contrôle de tonalité :** 300 à 3000Hertz

### **Dimensions :**

**Grosueur :** 10.4" x 8" x 4.4" (26.4cm X 20.5cm x 11.2cm)

**Poids :** 2.7 livres (1.23kg)

### **Puissance requise :**

**Adaptateur CD :** 9VDC, 800 mA

**Piles :** 4 piles alcalines AA (non incluses)



Clarity, a Division of Plantronics, Inc.  
6131 Preservation Drive  
Chattanooga, TN 37416

Tel: 800-426-3738 Fax: 800-325-8871  
E-mail: [claritycs@plantronics.com](mailto:claritycs@plantronics.com)  
Website: [www.clarityproducts.com](http://www.clarityproducts.com)

©2013 Clarity, a Division of Plantronics, Inc. All rights reserved. Clarity, Clarity Professional, Clarity, the amplification device, Clarity and the amplification device combined, ClarityLogic, Digital Clarity Power, DCP, AltoPlus, and Smart for Seniors are trademarks or registered trademarks of Plantronics, Inc.

Rev. B (02-13)  
Printed in Mexico